



IMPRIMANTE PAGE

FS-800



NOMENCLATURE

23-11-1998

FS-800 Pièces détachées

Table des matières

Capots (Fig.1).....	3
Structure (Fig.2).....	5
Mécanique (Fig.3).....	8
Contrôleur (Fig.4).....	10
Unité de fusion (Fig.6).....	12

Introduction

Les figures qui suivent représentent l'assemblage de l'imprimante ou des options, par sous-ensembles.

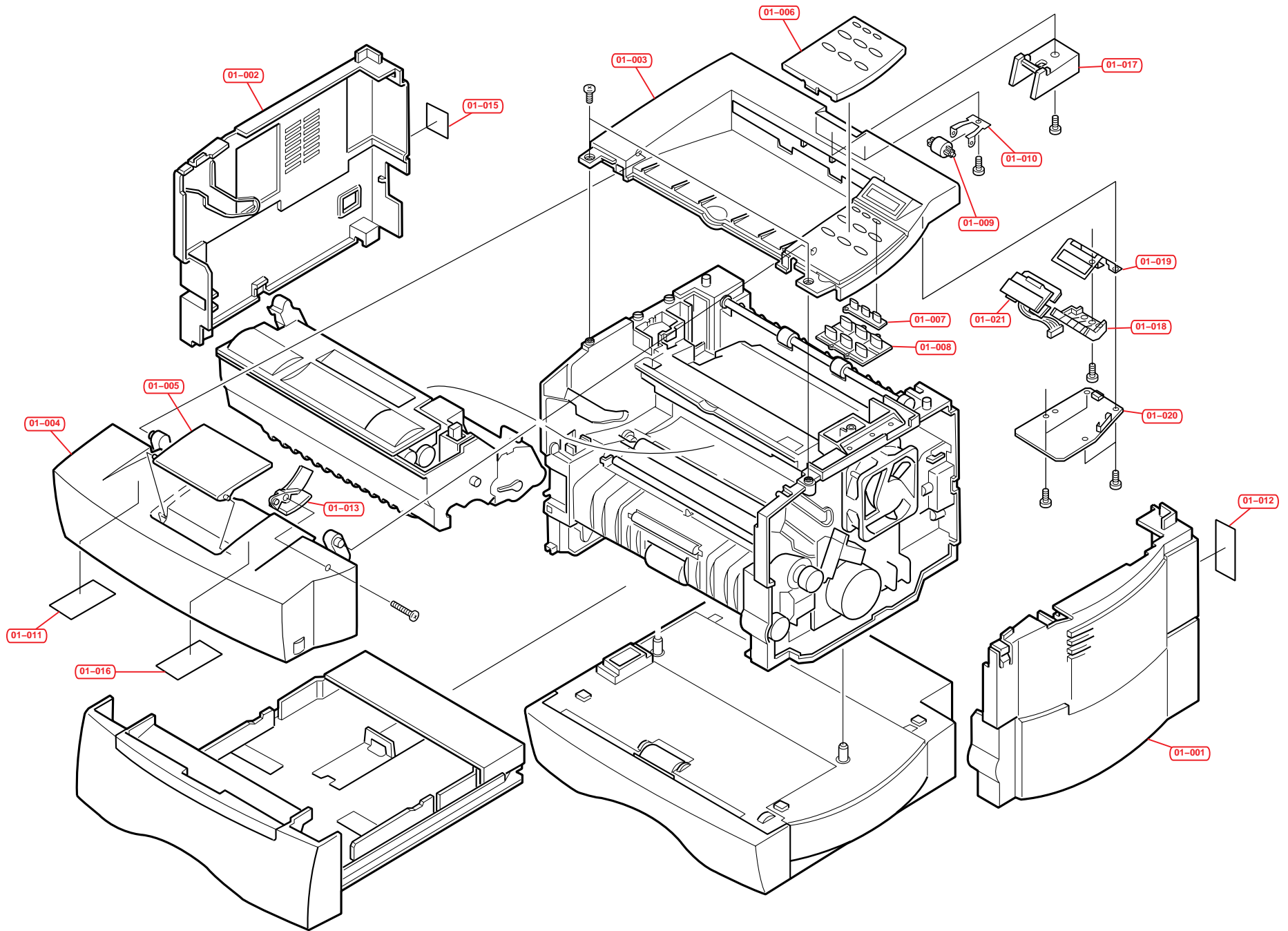
Les informations suivantes sont indiquées après chaque pièce :

N°	N° de la pièce dans l'éclaté
Référence.....	Référence de la pièce
Description	Description de la pièce (en anglais)

Seules les pièces en caractères GRAS peuvent être commandées.

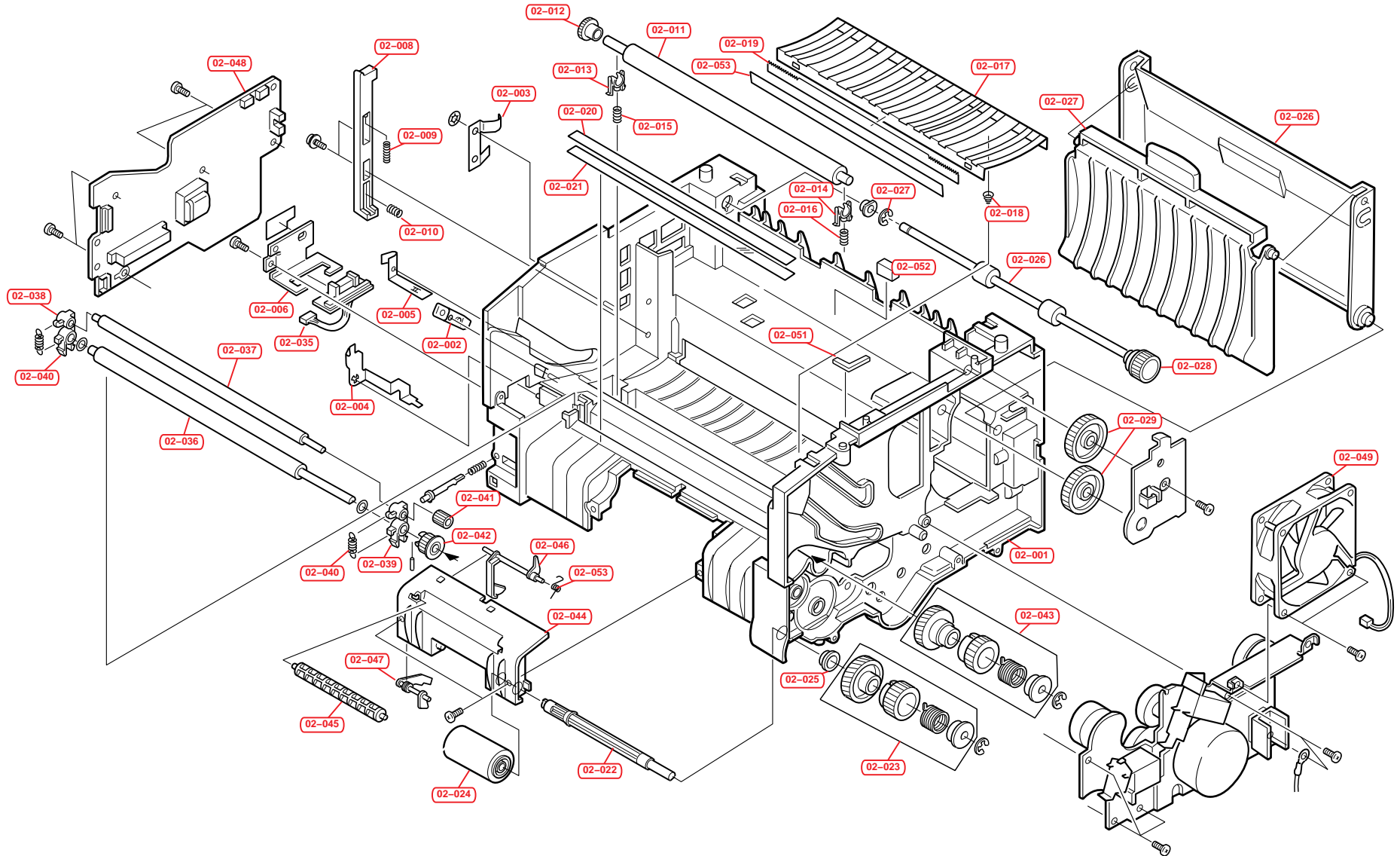
Toutes les autres pièces sont mentionnées à titre indicatif et ne sont pas disponibles.

Fig.1 – Capots



N°	Référence	Description
01-000	PU-18	Process Unit 5PLPZ5CAEKE
01-000	LK-18	Scanner Unit 5PLPZ6CAEKE
01-001	VB886CH006	Cover Right
01-002	VB885CH001	Cover Left
01-003	VB886CH007	Cover Top
01-004	VB876CH004	Lid Top TM (Europe)
01-004	VB876CH005	Lid Top S (USA)
01-005	VX661SH003	Tray Exit FD
01-006	VX762SH014	Panel Top English
01-006	VX762SH015	Panel Top French
01-007	VX621SC002	Lens LED
01-008	VX662SB020	Button
01-009	VM273DB003	Roller Pinch
01-010	MX322LD018	BKT Pulley FD
01-011	VVL771WN16	Label Diagram
01-012		Ser No Plate (U)
01-013	VX322SH002	Lever Shutter
01-015		Label Ser Caution
01-016	VVL771WN17	Label Diagram B
01-017	VX322DW006	RID Stocker
01-018	VX441SN002	Holder LCD
01-019	VS756CN004	Cover Panel
01-020	APRCZC2005AH	Panel PWB Assy KP-655
01-021	APRLCC1001AH	LCD PWB Assy KP-657
	AVCOVER197	Cover Rear Assy
	PC17-A4	Paper Cassette

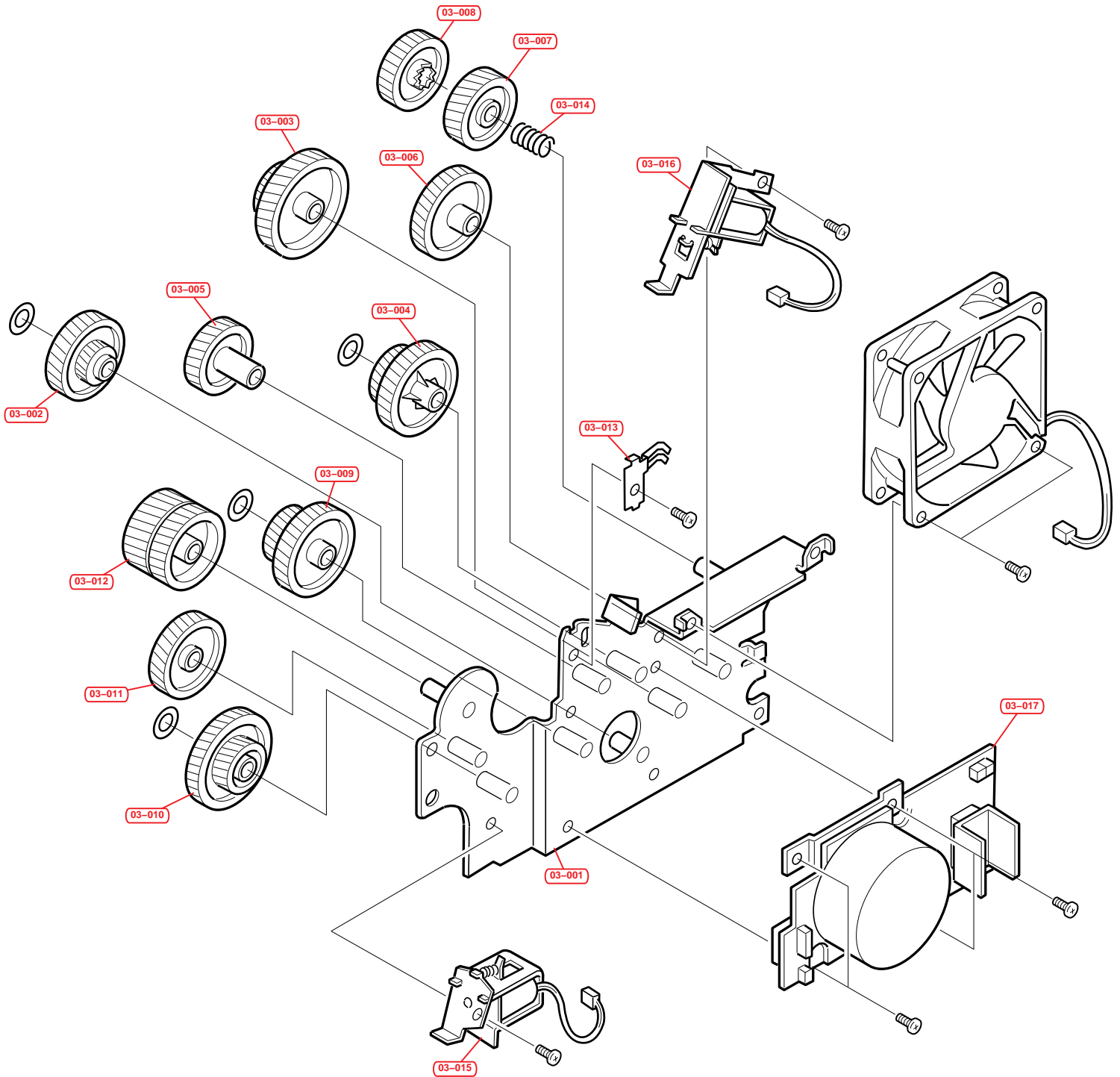
Fig.2 – Structure



N°	Référence	Description
02-001	VB887CB001	Frame Base
02-002	MX421LD014	Contact Bias
02-003	MX431LD008	Contact Main
02-004	MX433LD006	Contact Earth Regist
02-005	MX522LD011	Contact Transfer
02-006	ML543SL002	Plate Connector DLP
02-007	VS531KN001	Sheet B Insulator
02-008	VQ622SB001	Rod Interlock
02-009	MW261LD024	Spring Interlock A
02-010	MW261LD029	Spring Interlock B
02-011	MT876SN063	Roller Transfer
02-012	VG127DB035	Gear TC Z18
02-013	VX221DB010	Bush Transfer R
02-014	VX221DW004	Bush Transfer L
02-015	MW211LD004	Spring Transfer L
02-016	MW251SX002	Spring Transfer R
02-017	MC862SD004	Plate Earth Guide
02-018	MW261LD025	Spring Earth
02-019	VS825XF005	Brush Discharger
02-020	VS722KN001	Sheet Regist
02-021	VS722KN003	Sheet Regist B
02-022	MT766SN006	Shaft Feed
02-023	AVCLTCH011	Clutch Feed
02-024	AVROLL*029	Roller Feed Assy
02-025	VM122DB003	Bush Pom
02-026	MT874LD002	Roller Exit
02-027	VM176DW001	Bush Exit
02-028	VG137DB003	Gear Exit Z22
02-029	VG148DN035	Gear Z38
02-030	VX651SB006	Cover Cord
02-031	ACCNQH0GEA	Conn. Cord Assy HV to LSU
02-032	ACCNQH5GEA	Conn. Cord Assy LSU Gnd
02-033	ACCNQP2GEA	Conn. Cord Assy Panel
02-034	ACCNQP4GEA	Conn. Cord Assy
02-035	ACCNQG3GEA	Conn. Cord Assy Developer
02-036	MT876SN055	Roller Regist Low
02-037	MT865SN009	Roller Regist Up
02-038	VX221DB019	Bush Regist Left
02-039	VX221DW006	Bush Regist Right
02-040	MW261LD023	Spring Regist R
02-041	VG126DN013	Gear Regist Z16
02-042	VG148DN036	Gear Regist Z35
02-043	AVCLTCH012	Clutch Regist
02-044	VX766DB001	Holder Feed
02-045	VT763SB001	Pulley Feed

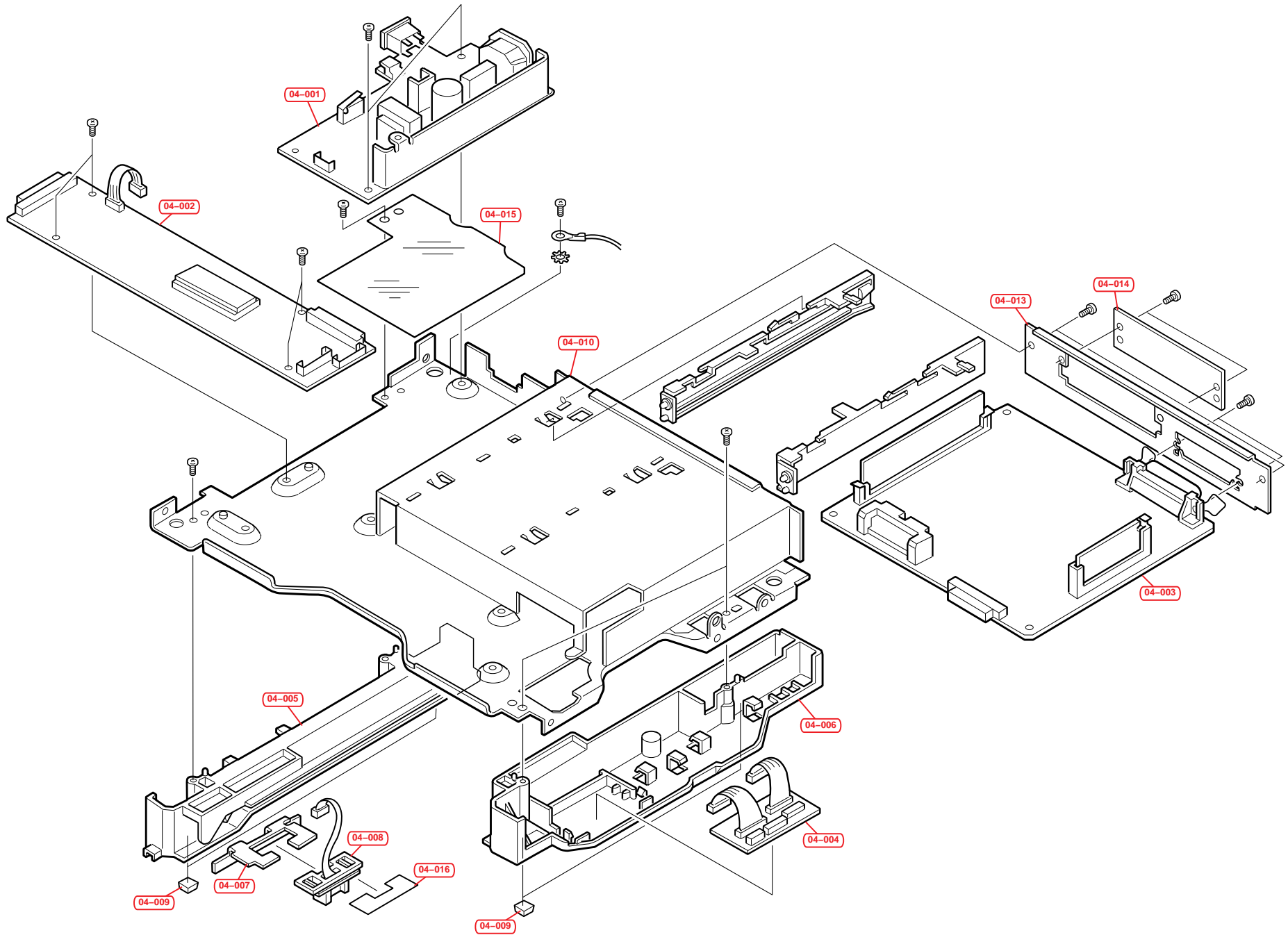
N°	Référence	Description
02-046	VX642SB010	Actuator Feed
02-047	VX442SB009	Actuator Empty
02-048	AXTR038VDA	Trans Assy
02-049	ZNF2401901*01	Fan Motor
02-051	VS329RN003	Seal Frame
02-052	VQ432RB003	Cord Press
02-053	VS825KN001	Sheet Discharger

Fig.3 – Mécanique



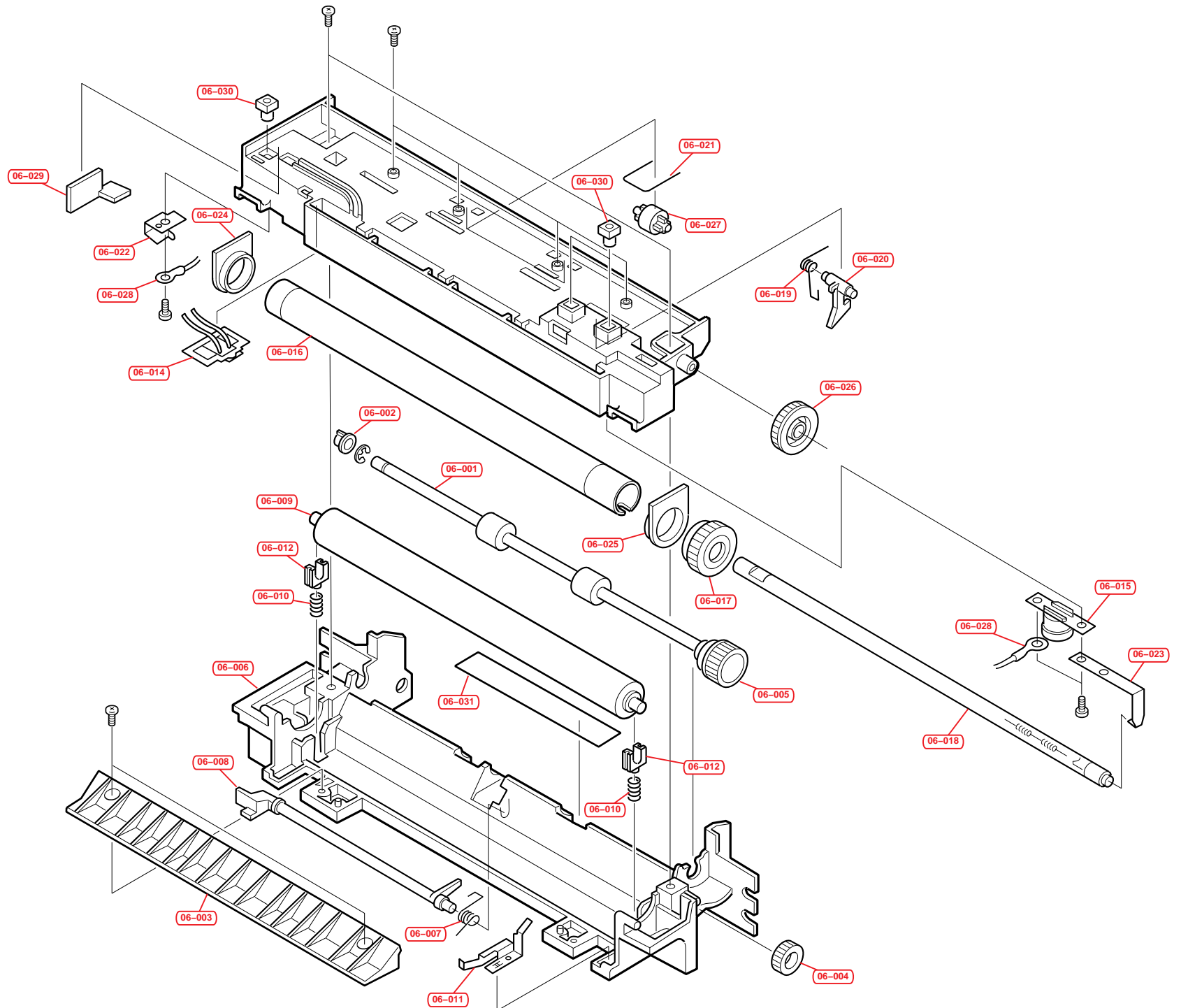
N°	Référence	Description
03-000	AY800E*09	Drive Assy
03-001	MX776SD004	Plate Drive
03-002	VG168DN012	Gear Z64H-Z19H
03-003	VG159DN009	Gear Z49H-Z22H
03-004	VG158DN025	Gear Z42H-Z25H
03-005	VG148DN034	Gear Z31H
03-006	VG158DN026	Gear Z42H
03-007	VG148DN032	Gear Free Z32H
03-008	VG148DN033	Gear Free Z32S
03-009	VG168DN013	Gear Z66H-Z27H
03-010	VG158DN027	Gear Z45H-Z24H
03-011	VG148DN030	Gear Z39H
03-012	VG148DN031	Gear Z37H-Z36H
03-013	MX331LD002	Plate Earth Drum
03-014	MW211SZ001	Spring Free
03-015	ZSA2402410201	Free Solenoid Assy
03-016	ZSA2402410101	Regist Soleniod Assy
03-017	AXMT033GEA	Main Motor

Fig.4 – Contrôleur



N°	Référence	Description
04-000	APRMEG4019AH	DIMM PWB Assy KP-610A
04-001	AEZFS800E1	Switching Regulator 230v
04-002	APRCZC2004AH	Engine PWB Assy KP-651
04-003	APRLGC2018AH	Main PWB Assy KP-650
04-004	APRIFC2010AH	Relay PWB Assy KP-653
04-005	VB845SB002	Guide Cassette Left
04-006	VB864SB012	Guide Cassette Right
04-007	ML643SL004	Plate Connector PF
04-008	ACCNQG3GEA	Conn Cord Assy
04-009	VS228RB019	Foot
04-010	AVBOX**005	Box Controller Assy
04-013	MU841SD002	Panel Rear
04-014	MS636SD009	Plate Option
04-015	VS774CN001	Sheet PWB
04-016	VS522KN001	Sheet Connector
04-017	VQ611RX012	EMI Gasket

Fig.6 – Unité de fusion



N°	Référence	Description
06-000	FK-18	Fuser Unit (5PLPPZ3CAEKE)
06-001	VT876CX001	Roller Exit
06-002	VM176DN016	Bush A
06-003	VX833KB001	Paper Chute Fuser
06-004	VG127DN047	Gear Idle Z18
06-005	VM162DN005	Bush FD R
06-006	VX875KB001	Frame Fuser Low
06-007	MW261LD017	Spring Actuator
06-008	VX721CB002	Actuator Fuser
06-009	MT876SN040	Roller Press
06-010	MW261LD022	Spring Fuser
06-011	MX323LD001	Plate Earth Fuser
06-012	VX221XN002	Bush Press
06-013	VB864KB003	Frame Fuser Up
06-014	AXTM010GEA	Thermistor Assy
06-015	YFFQ14001**01	Thermo Cut Out
06-016	MT877AX003	Roller Heat
06-017	VG138XN008	Gear Fuser Z30
06-018	ZPB2411920101	Lamp Heater 230v
06-019	MW261LD015	Spring Separator
06-020	VX222XN001	Separator
06-021	MW603LD001	Spring Exit
06-022	MX222LD016	Holder Lamp L
06-023	MX531RD002	Holder Lamp R
06-024	VM188XN013	Bush Heat L
06-025	VM288XN001	Bush Heat R
06-026	VG138DN017	Gear Fuser
06-027	VM273DB003	Roller Pinch
06-028	ACCNQH1GEA	Conn Cord S02211 (240v)
06-029	VX322KB002	Support Lamp
06-030	MK116SZ001	Nut Fuser
06-031	VS821KF021	Sheet Exit
06-032	VVL731WN14	Label Fuser Caution