



KM-1510
KM-1810

PARTS LIST

Published in Dec.'00
842A1120

———— CONTENTS ————

FIG. 1 EXTERIOR COVERS	2	FIG. 10 IMAGING UNIT(DEVELOPING)	20
FIG. 2 FRAMES	4	FIG. 11 IMAGING UNIT(CLEANING)	22
FIG. 3 CASSETTE	6	FIG. 12 FIXING SECTION	24
FIG. 4 CONVEYING SECTION	8	FIG. 13 DRIVING SECTION	26
FIG. 5 DOCUMENT FEEDER (KM-1510)	10	FIG. 14 ELECTRICAL COMPONENTS	28
FIG. 6 AUTO DOCUMENT FEEDER I (KM-1810)	12	FIG. 15 OPERATION UNIT	30
FIG. 7 AUTO DOCUMENT FEEDER II (KM-1810)	14	FIG. 16 ACCESSORIES & OPTION	32
FIG. 8 OPTICAL SECTION	16		
FIG. 9 LASER SCANNER UNIT	18	• INDEX	34

NOTE

1. Indicate parts number and machine model when placing an order.

eg.	Parts Number	Parts Name	Machine Model	Cycle	Quantity
	2A104012	FRONT COVER	KM-1510	60Hz	1
	2A204012	FRONT COVER	KM-1810	60Hz	1

2. Service calls and freight will be charged separately.

3. Symbols in the "Parts Number" column.

- Parts with "●" indicates the service parts and the parts without "●" can not be supplied.

- Parts with "." are component parts or sub-assemblies of the assembly appearing immediately above them.

eg.	Parts Number	Parts Name	Parts Number	Parts Name
	2A168041	LSU ASS'Y	•2A105131	LABEL, LASER UNIT
			•2A113010	UNIT, LSU

- Parts with ".•" are component parts or sub-assembly with "." appearing immediately above them.

eg.	Parts Number	Parts Name	Parts Number	Parts Name
	•2A201010	MEMORY PCB ASS'Y (KM-1510)	••2A226010	MOUNT, MEMORY BOARD (KM-1510)
			••2A228010	MEMORY PCB (KM-1510)

4. See the last page of this parts list for the classification of the screws in the illustrations.

FIG. 1 EXTERIOR COVERS

2A1/2A2

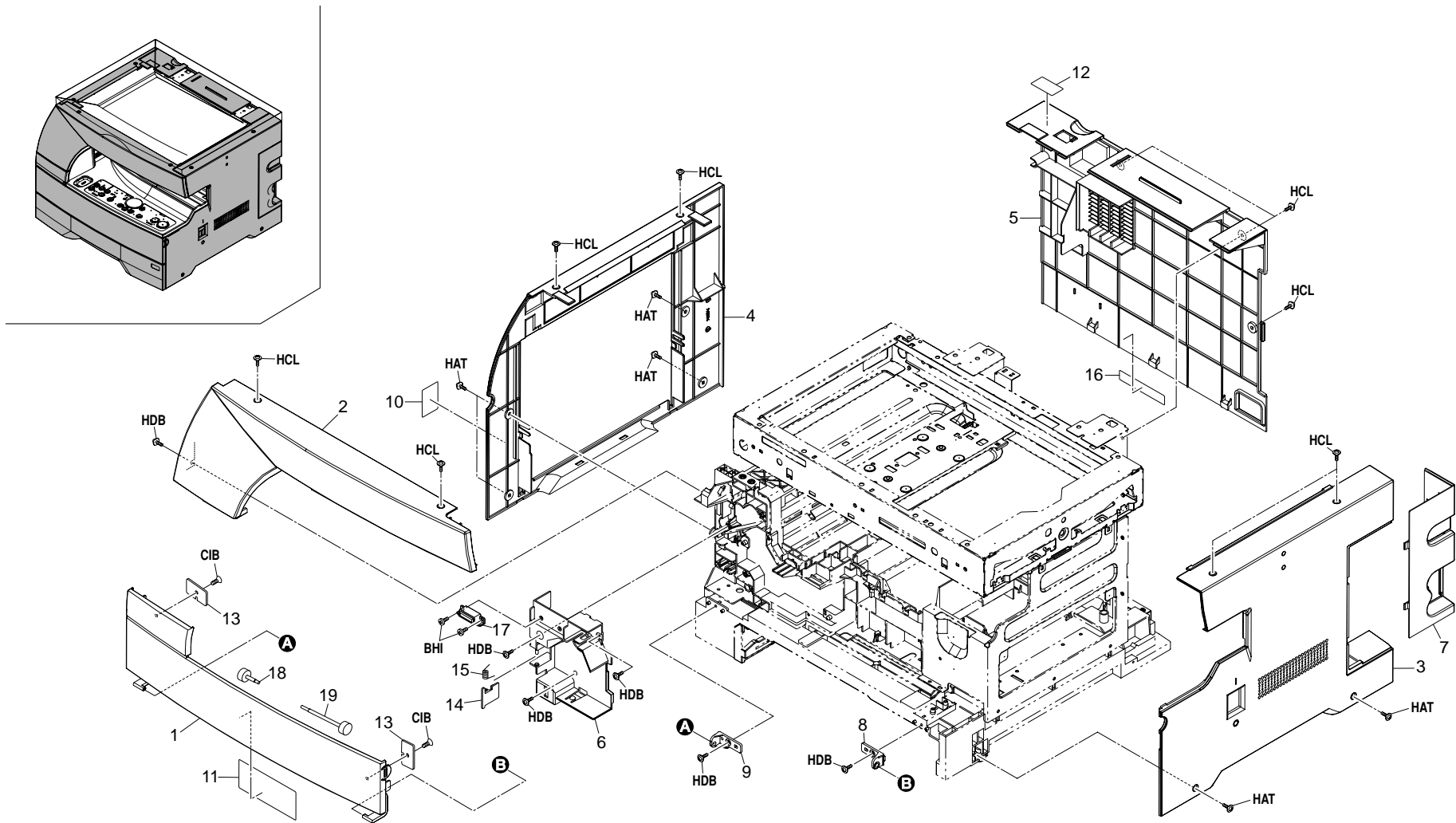


FIG. 1 EXTERIOR COVERS

2A1/2A2

SP	Ref. No.	Part. No.	Description	Quantity		
				120V	230V	240V
●	1	2A104012	FRONT COVER (KM-1510)	1	1	1
●	1	2A204012	FRONT COVER (KM-1810)	1	1	1
●	2	2A104021	UPPER FRONT COVER	1	1	1
●	3	2A104032	RIGHT COVER	1	1	1
●	4	2A104041	LEFT COVER	1	1	1
●	5	2A104071	REAR COVER (KM-1510)	1	1	1
●	5	2A204021	REAR COVER (KM-1810)	1	1	1
●	6	2A104080	COVER, DISPOSAL TANK	1	1	1
●	7	2A104090	COVER, PRINTER BOARD	1	1	1
●	8	2A104100	RIGHT FULCRUM PLATE, FRONT COVER	1	1	1
●	9	2A104110	LEFT FULCRUM PLATE, FRONT COVER	1	1	1
●	10	2A105091	LABEL, CONVEYING JAM	1	1	1
●	11	2A105140	LABEL, CARTRIDGE OPERATION	1	1	1
●	12	2A105160	LABEL, DF CAUTION (KM-1510)	1	1	1
	13	49628105	RECEIVER, MAGNET	2	2	2
	14	2A118240	DETECTION PLATE, DISPOSAL TANK	1	1	1
	15	2A118250	SPRING, TANK DETECTION	1	1	1
	16	2A005060	LABEL, HIGH VOLTAGE CAUTION(EUR)	1	1	1
	17	71804400	MAGNET, LOWER FRONT COVER	1	1	1
	18	19512210	RETAINING PIN, MIRROR FRAME	1	1	1
	19	2A112700	RETAINING PIN A, MIRROR FRAME	1	1	1

- Parts with "●" are component parts or sub-assemblies of the assembly appearing immediately above them.
- Parts with "●" indicates the Service parts.

- Parts with "●●" are component parts or sub-assembly with "●" appearing immediately above them.

FIG. 2 FRAMES

2A1/2A2

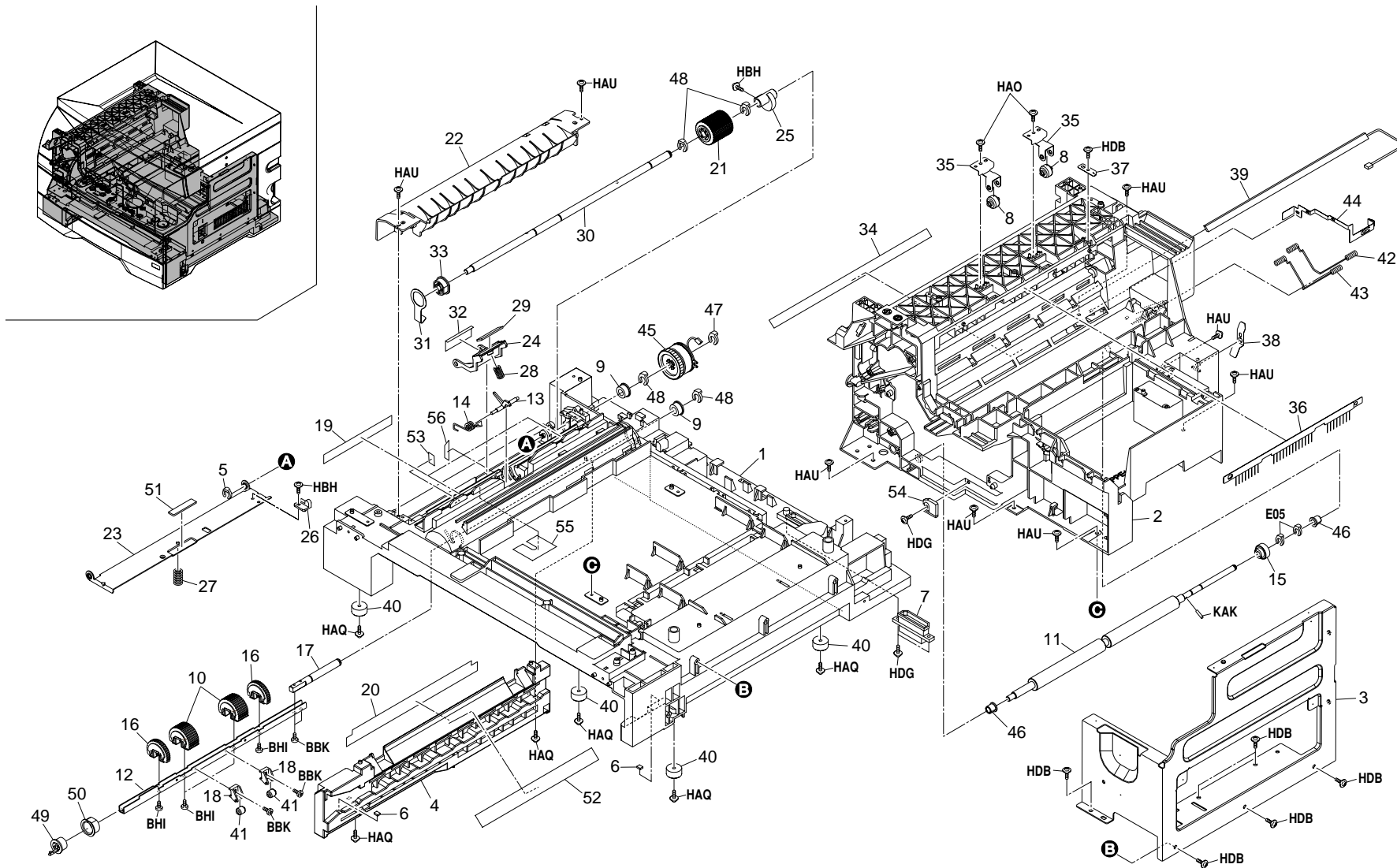


FIG. 2 FRAMES

SP	Ref. No.	Part. No.	Description	Quantity		
				120V	230V	240V
	1	2A102010	BASE	1	1	1
	2	2A102021	FRAME IMAGE FORMATION	1	1	1
	3	2A102030	RIGHT FRAME	1	1	1
	4	2A102090	LEFT RAIL,CASSETTE	1	1	1
	5	2A806250	RING STOPPER	1	1	1
●	6	2A107040	SLIDER,CASSETTE	2	2	2
	7	J7330120	PLUG,9715B-12A(IRS)	1	1	1
●	8	68720160	PULLEY,FEED SHIFT	2	2	2
●	9	67322230	BUSHING 8	2	2	2
●	10	2A106010	PULLEY,PAPER FEED	2	2	2
●	11	2A106031	RIGHT ROLLER,REGISTRATION	1	1	1
	12	2A106040	SHAFT,PAPER FEED	1	1	1
●	13	2A106071	ACTUATOR,REGISTRATION	1	1	1
●	14	2A106081	SPRING,REGISTRATION ACTUATOR	1	1	1
●	15	2A106160	RIGHT GEAR 15,REGISTRATION	1	1	1
●	16	2A106170	PULLEY B,PAPER FEED	2	2	2
	17	2A106180	SHAFT,PAPER FEED CL	1	1	1
	18	2A106191	SUPPORT PLATE,GUIDE PULLEY	2	2	2
●	19	2A106200	RIGHT GUIDE FILM,REGISTRATION ADMISSION	2	2	2
●	20	2A106220	GUIDE FILM,PAPER FEED CONFLUENCE	1	1	1
●	21	2A106510	PULLEY,BYPASS	1	1	1
●	22	2A106530	UPPER GUIDE,BYPASS	1	1	1
	23	2A106540	GUIDE,BYPASS LIFT	1	1	1
●	24	2A106550	HOLDER,BYPASS PAD	1	1	1
●	25	2A106560	CAM,BYPASS LIFT	1	1	1
●	26	2A106570	STOPPER,BYPASS LIFT	1	1	1
●	27	2A106581	SPRING,BYPASS LIFT	1	1	1
●	28	2A106590	SPRING,BYPASS PAD	1	1	1
●	29	2A106680	PAD,BYPASS	1	1	1
	30	2A106690	SHAFT,BYPASS	1	1	1
	31	2A106700	GROUND PLATE,BYPASS LIFT	1	1	1
●	32	2A106721	GUIDE,BYPASS PAD	1	1	1
●	33	2A106730	FRONT BUSHING,BYPASS	1	1	1
	34	2A110150	LIGHT SHIELD,CLEANING LAMP	1	1	1
	35	2A121020	PLATE SPRING,EJECT	2	2	2
●	36	2A121050	STATIC ELIMINATOR,EJECT	1	1	1
	37	2A121060	GROUND PLATE,EJECT	1	1	1
	38	2A126090	GROUND PLATE,IMAGE FORMATION	1	1	1
●	39	2A127010	LAMP,CLEANING	1	1	1
	40	65902670	CUSHION RUBBER	4	4	4

- Parts with "●" are component parts or sub-assemblies of the assembly appearing immediately above them.
- Parts with "●●" indicates the Service parts.

2A1/2A2

SP	Ref. No.	Part. No.	Description	Quantity		
				120V	230V	240V
	41	34907290	PULLEY,GUIDE	2	2	2
	42	2A127890	TERMINAL,MAIN CHARGER JUNCTION	1	1	1
	43	2A127900	TERMINAL,GRID JUNCTION	1	1	1
	44	2A127910	TERMINAL,TRANSFER JUNCTION	1	1	1
●	45	2AV27340	CLUTCH,BYPASS	1	1	1
	46	2A806030	BUSH FEED	2	2	2
	47	34806150	STOPPER 5	1	1	1
	48	34806480	STOPPER 6	4	4	4
●	49	34906150	INNER BUSHING,PAPER FEED	1	1	1
●	50	34906160	OUTER BUSHING,PAPER FEED	1	1	1
●	51	2A106760	FRICTION PLATE C,BYPASS LIFT	1	1	1
●	52	2A106230	GUIDE FILM,PRIMARY PAPER FEED	1	1	1
	53	2A106740	VIBRATION INSULATOR,PAD HOLDER	1	1	1
	54	2A114340	HOLDER,DEVELOPING	1	1	1
●	55	2A106240	FRONT SHEET,REGISTRATION	1	1	1
	56	2A106770	SHEET,PAD HOLDER	1	1	1

- Parts with "●●" are component parts or sub-assembly with "●" appearing immediately above them.

FIG. 3 CASSETTE

2A1/2A2

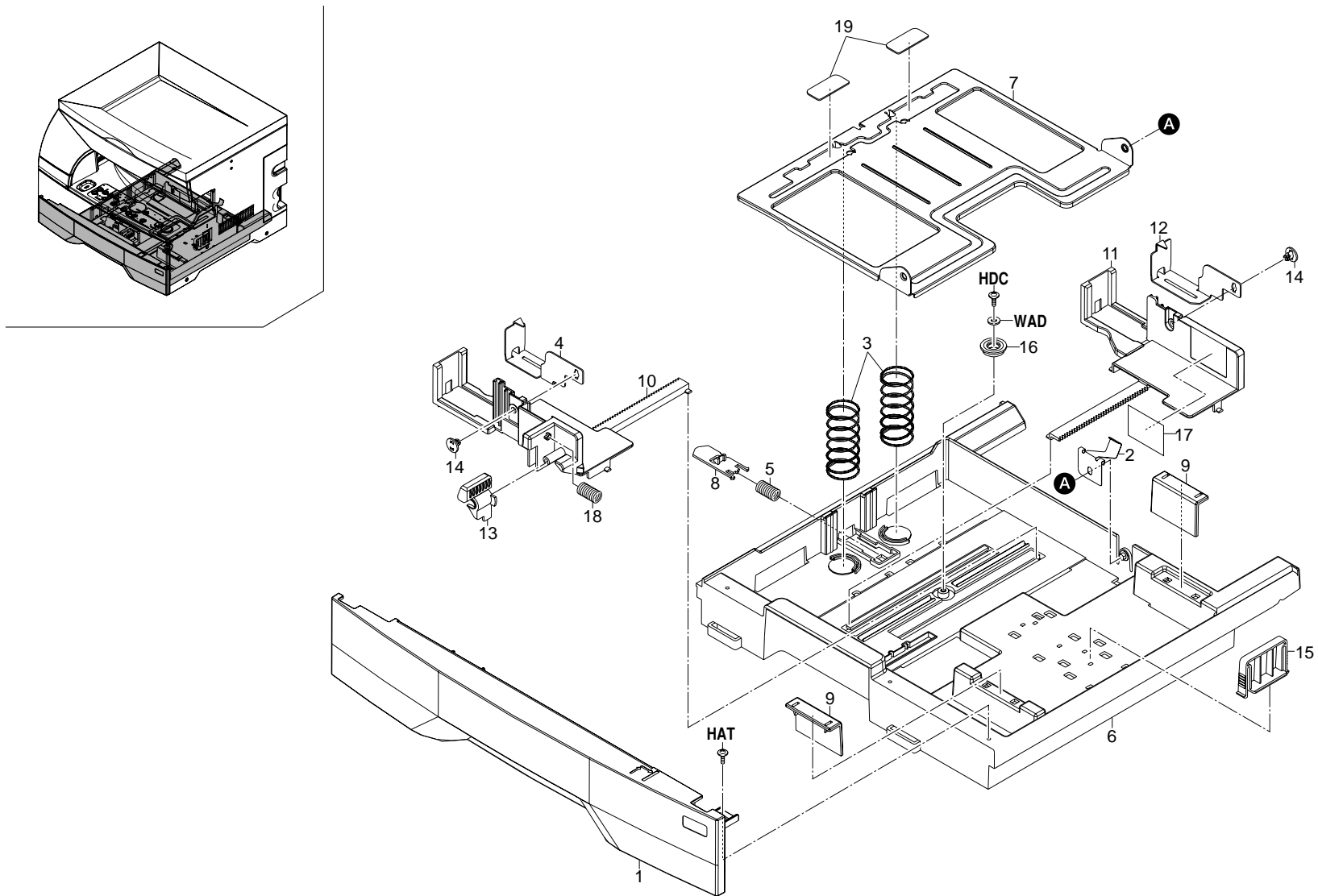


FIG. 3 CASSETTE

2A1/2A2

SP	Ref. No.	Part. No.	Description	Quantity		
				120V	230V	240V
●	1	2A107011	COVER,CASSETTE	1	1	1
	2	2A107020	GROUND PLATE,CASSETTE	1	1	1
	3	2A107030	SPRING,CASSETTE	2	2	2
●	4	2A107050	FRONT CLAW CASSETTE	1	1	1
	5	76508130	SPRING BELT GUIDE ROLLER	1	1	1
	6	19507011	CASSETTE,PAPER FEED	1	1	1
	7	19507040	BASE,CASSETTE	1	1	1
	8	19507050	LEVER,CASSETTE BASE RELEASE	1	1	1
●	9	19507080	REAR STOPPER,PAPER(METRIC)		2	2
	10	34907021	FRONT CURSOR,CASSETTE	1	1	1
●	11	34907031	REAR CURSOR,CASSETTE	1	1	1
●	12	34907050	REAR CLAW,CASSETTE	1	1	1
	13	34907060	LEVER,CURSOR RETAINING	1	1	1
●	14	34907070	PIN,CLAW CASSETTE	2	2	2
	15	34907131	REAR STOPPER,PAPER	1	1	1
	16	34907141	GEAR 18,CASSETTE	1	1	1
●	17	34907330	LABEL,PAPER UPPER LIMIT	1	1	1
	18	68802070	SPRING A,LIFT UP	1	1	1
	19	2A107060	FRICTION PLATE,CASSETTE	2	2	2

- Parts with "●" are component parts or sub-assemblies of the assembly appearing immediately above them.
- Parts with "●" indicates the Service parts.

- Parts with "●●" are component parts or sub-assembly with "●" appearing immediately above them.

FIG. 4 CONVEYING SECTION

2A1/2A2

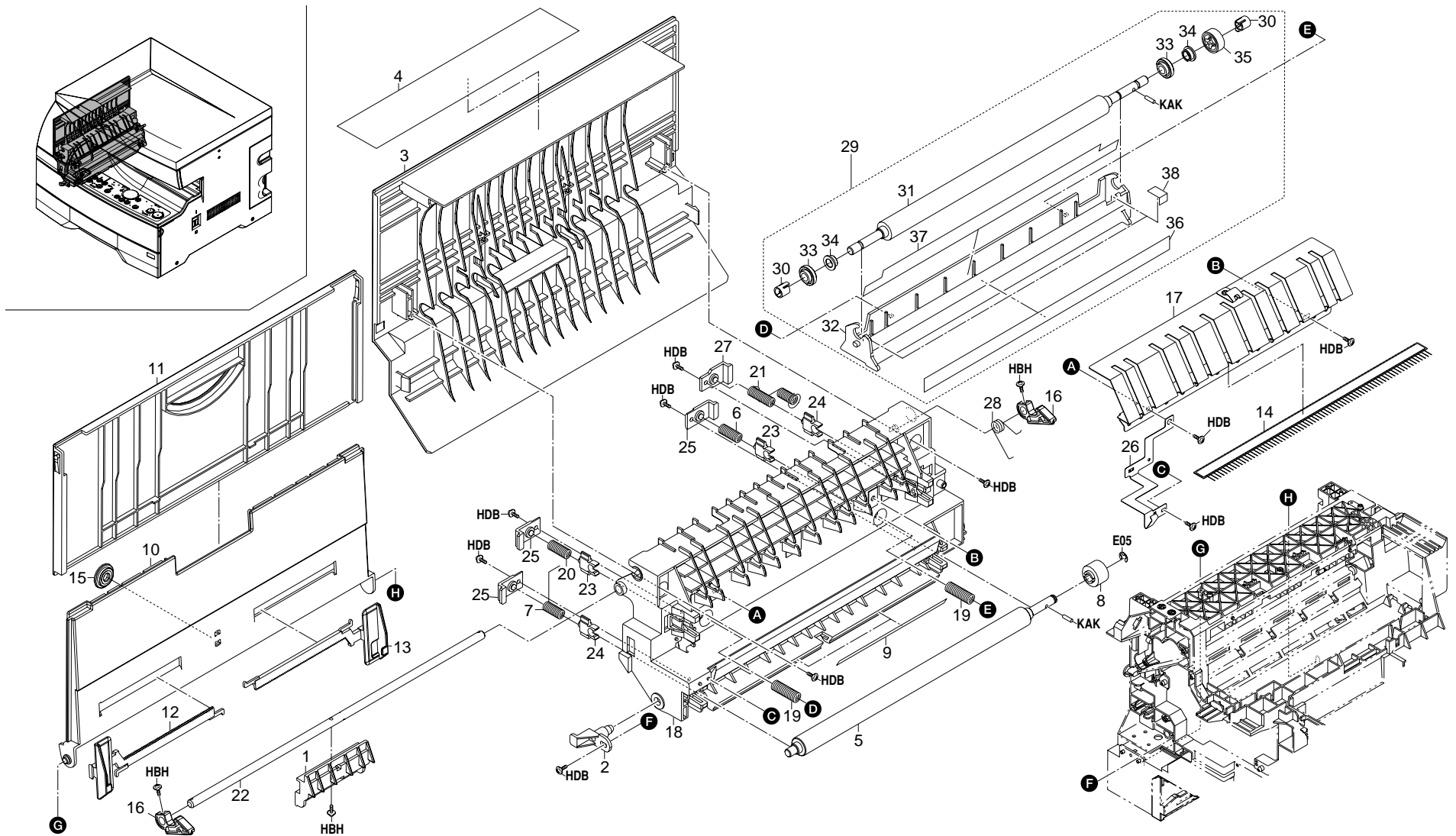


FIG. 4 CONVEYING SECTION

2A1/2A2

SP	Ref. No.	Part. No.	Description	Quantity		
				120V	230V	240V
●	1	2A102100	HANDLE,JAM RELEASE	1	1	1
	2	2A102110	FULCRUM PIN,CONVEYING	1	1	1
●	3	2A104052	COVER,CONVEYING	1	1	1
●	4	2A105080	LABEL,HIGH TEMPERATURE CAUTION	1	1	1
●	5	2A106020	LEFT ROLLER,REGISTRATION	1	1	1
	6	2A106060	SPRING,REGISTRATION PRESSING	1	1	1
	7	2A106120	FRONT SPRING,REGISTRATION PRESSING	1	1	1
●	8	2A106150	LEFT GEAR 14,REGISTRATION	1	1	1
●	9	2A106210	LEFT GUIDE FILM,REGISTRATION ADMISSION	2	2	2
●	10	2A106810	TABLE,BYPASS	1	1	1
●	11	2A106820	COVER,BYPASS TABLE	1	1	1
	12	2A106831	FRONT CURSOR,BYPASS	1	1	1
	13	2A106841	REAR CURSOR,BYPASS	1	1	1
●	14	2A116171	STATIC ELIMINATOR,TRANSFER	1	1	1
●	15	2A806720	GEAR MPF	1	1	1
	16	35904270	HOOK,CONVEYING HANDLE	2	2	2
	17	2A116050	REAR GUIDE TRANSFER	1	1	1
	18	2A116060	HOUSING,CONVEYING	1	1	1
	19	2A116070	SPRING,CONVEYING PRESSURE	2	2	2
	20	2A116080	FRONT SPRING,TRANSFER ROLLER	1	1	1
	21	2A116090	REAR SPRING,TRANSFER ROLLER	1	1	1
	22	2A116100	SHAFT,HOOK	1	1	1
●	23	2A116111	FRONT BUSHING,TRANSFER PRESSURE	2	2	2
●	24	2A116121	REAR BUSHING,TRANSFER PRESSURE	2	2	2
	25	2A116130	HOLDER,PRESSURE SPRING	3	3	3
	26	2A116140	TERMINAL,TRANSFER GUIDE	1	1	1
	27	2A116150	HOLDER,TRANSFER PRESSURE SPRING	1	1	1
	28	2A116160	SPRING,CONVEYING RELEASE	1	1	1
●	29	2A168034	TRANSFER ROLLER ASS'Y	1		
●	29	2A168064	TRANSFER ROLLER ASS'Y(METRIC)		1	1
	30	•2AR17080	COLLAR,TRANSFER ROLLER	2	2	2
●	31	•2A116010	ROLLER,TRANSFER	1		
●	31	•2A116200	ROLLER,TRANSFER,METRIC		1	1
	32	•2A116020	FRONT GUIDE,TRANSFER	1	1	1
●	33	•2A116040	PULLEY,TRANSFER	2	2	2
●	34	•2A116180	BUSHING,TRANSFER	2	2	2
●	35	•2A116190	GEAR,TRANSFER	1	1	1
●	36	•2A116210	FRONT SHEET,TRANSFER GUIDE	1	1	1
●	37	•2A116220	CLEANER,TRANSFER	1	1	1
●	38	•2A116240	SEAL B,TRANSFER ROLLER	2	2	2

- Parts with "•" are component parts or sub-assemblies of the assembly appearing immediately above them.
- Parts with "●" indicates the Service parts.

- Parts with "••" are component parts or sub-assembly with "•" appearing immediately above them.

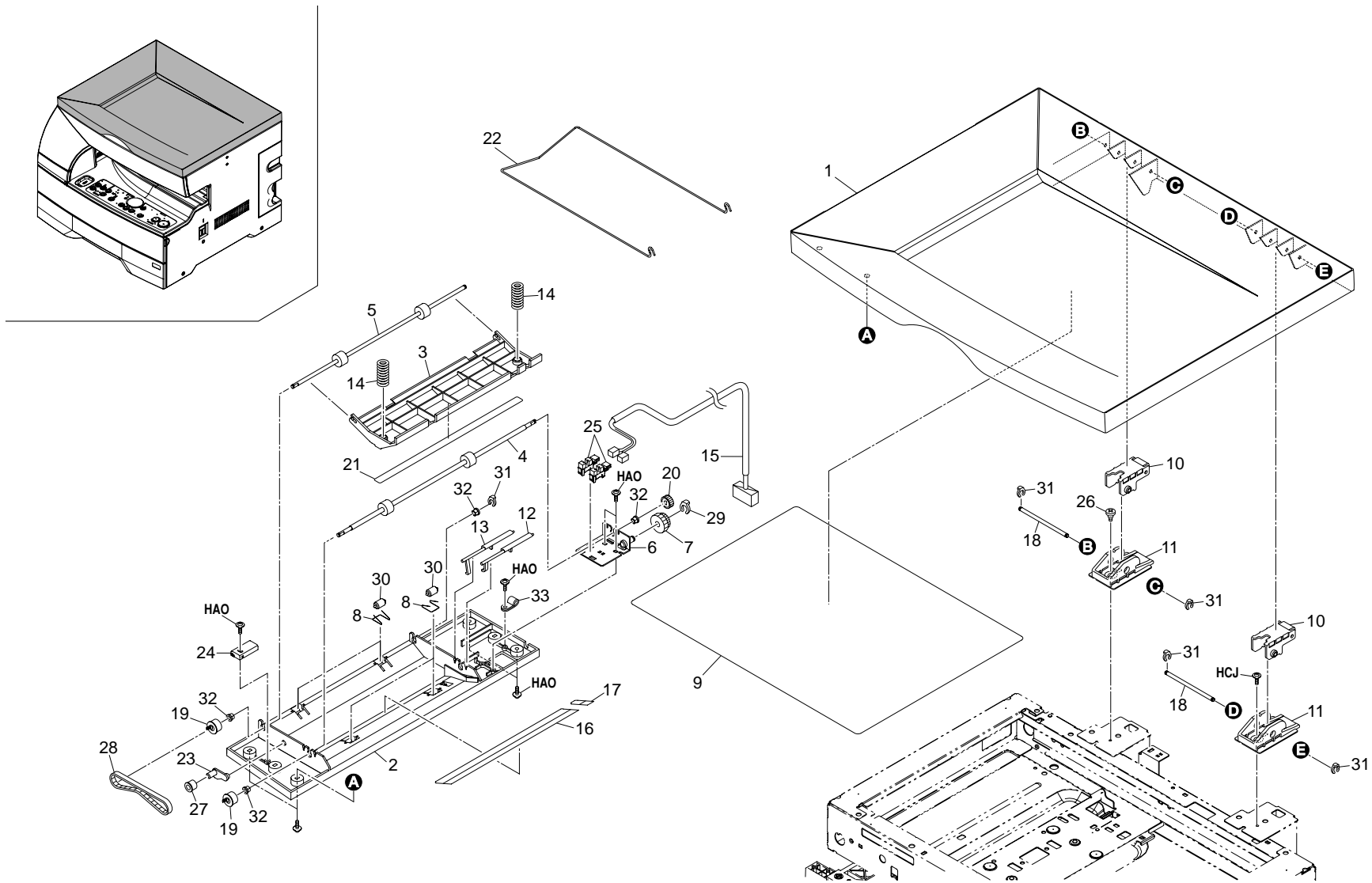


FIG. 5 DOCUMENT FEEDER (KM-1510)

2A1/2A2

SP	Ref. No.	Part. No.	Description	Quantity		
				120V	230V	240V
●	1	3BP11070	COVER,ADF	1	1	1
●	2	3BP11080	HOUSING,CONVEYING	1	1	1
●	3	3BP11090	GUIDE,ORIGINAL	1	1	1
●	4	3BP11100	ROLLER,CONVEYING	1	1	1
●	5	3BP11110	ROLLER,EJECT	1	1	1
●	6	3BP11120	MOUNT,DRIVE	1	1	1
●	7	3BP11130	GEAR 25/19	1	1	1
●	8	3BP11140	SPRING,CONVEYING	4	4	4
●	9	3BP11150	MAT,ORIGINAL HOLDER	1	1	1
●	10	3BP11160	UPPER HINGE	2	2	2
●	11	3BP11170	LOWER HINGE	2	2	2
●	12	3BP11180	ACTUATOR,ORIGINAL DETECTION	1	1	1
●	13	3BP11190	ACTUATOR,TIMING DETECTION	1	1	1
●	14	3BP11220	SPRING,ORIGINAL GUIDE	2	2	2
●	15	3BP11230	WIRE,ADF	1	1	1
●	16	3BP11240	FRONT FILM,CONVEYING	1	1	1
●	17	3BP11250	REAR FILM,CONVEYING	1	1	1
●	18	3BP11270	SHAFT,HINGE	2	2	2
●	19	3BP11280	PULLEY 22,CONVEYING	2	2	2
●	20	3BP11290	GEAR 20,CONVEYING	1	1	1
●	21	3BP11300	SHEET,READING	1	1	1
●	22	3BP11310	TRAY,EJECT	1	1	1
●	23	3BP11320	MOUNT,PULLEY	1	1	1
●	24	3BP11330	RETAINER,TENSION	1	1	1
●	25	2A127050	SWITCH,PHOTO INTERRUPTOR	2	2	2
●	26	48129208	PIN,TENSION	1	1	1
●	27	3A722090	PULLEY,DRIVE	1	1	1
●	28	3BR22040	BELT 192,CONVEYING	1	1	1
●	29	34806140	STOPPER 4	1	1	1
●	30	34917170	PULLEY,TRANSFER HOLDER	4	4	4
●	31	65016080	STOP RING E3	5	5	5
●	32	66006840	BUSHING 4	4	4	4
●	33	M2105020	NYLON CLAMP 4N,NK-4N	1	1	1

- Parts with "●" are component parts or sub-assemblies of the assembly appearing immediately above them.
- Parts with "●" indicates the Service parts.

- Parts with "●●" are component parts or sub-assembly with "●" appearing immediately above them.

FIG. 6 AUTO DOCUMENT FEEDER I (KM-1810)

SP	Ref. No.	Part. No.	Description	Quantity		
				120V	230V	240V
●	1	3BR02010	BASE,ADF	1	1	1
	2	3BR02020	FRAME,ADF	1	1	1
	3	3BR02030	STAY,ADF	1	1	1
	4	3BR02060	LEVER,RELEASE SWITCH	1	1	1
	5	3BR03010	LEFT HINGE	1	1	1
	6	3BR03040	RIGHT HINGE	1	1	1
●	7	3BR04010	LOWER COVER,CONVEYING	1	1	1
●	8	3BR04020	HANDLE,ADF	1	1	1
	9	3BR05010	LABEL,ORIGINAL UPPER LIMIT	1	1	1
●	10	3BR06010	TABLE,ADF	1	1	1
●	11	3BR06020	FRONT CURSOR	1	1	1
●	12	3BR06030	REAR CURSOR	1	1	1
●	13	3BR06040	COVER,TABLE	1	1	1
●	14	3BR07010	COVER,PAPER FEED	1	1	1
●	15	3BR07040	PULLEY,PAPER FEED	1	1	1
●	16	3BR07070	SHAFT,PAPER FEED	1	1	1
	17	3BR07260	UPPER FILM,CONVEYING	1	1	1
●	18	3BR07110	ACTUATOR,ORIGINAL DETECTION	1	1	1
●	19	3BR07130	BELT 114,PAPER FEED	1	1	1
	20	3BR07140	MOUNT,HANDLE	1	1	1
	21	3BR07150	FRONT HOOK,PAPER FEED COVER	1	1	1
	22	3BR07160	REAR HOOK,PAPER FEED COVER	1	1	1
●	23	3BR07170	HANDLE,PAPER FEED COVER	1	1	1
	24	3BR07220	FRONT SUPPORT PLATE,PAPER FEED COVER	1	1	1
	25	3BR07230	REAR SUPPORT PLATE,PAPER FEED COVER	1	1	1
	26	3A707060	SHAFT,LEADING FEED	1	1	1
	27	2A807050	GEAR CASSETTE	1	1	1
	28	48128609	PIN,UPPER FRONT COVER	1	1	1
●	29	29806560	BUSHING 6	1	1	1
●	30	29806810	BUSHING,6 REGISTRATION	1	1	1
	31	29822280	SPRING,PF COUPLER	1	1	1
●	32	3AL05120	LABEL,DF ORIGINAL CAUTION	1	1	1
	33	3AL06090	CUSHION,ORIGINAL GUIDE	2	2	2
	34	3A707110	GEAR 30,PAPER FEED	1	1	1
●	35	3A707120	PULLEY,LEADING FEED	1	1	1
●	36	3BC07130	ONE-WAY CLUTCH 6	1	1	1
●	37	3BP11150	MAT,ORIGINAL HOLDER	1	1	1
	38	34806150	STOPPER 5	2	2	2
	39	34907070	PIN,CLAW CASSETTE	2	2	2
●	40	3A707030	PULLEY,LEADING FEED	1	1	1

- Parts with "●" are component parts or sub-assemblies of the assembly appearing immediately above them.
- Parts with "●" indicates the Service parts.

2A1/2A2

SP	Ref. No.	Part. No.	Description	Quantity		
				120V	230V	240V
	41	36211500	GEAR,LEADING FEED JOINT	1	1	1
	42	68721640	PULLEY 20,DUPLEX CONVEYING	1	1	1
	43	78620710	CLAW STOPPER	3	3	3
	44	M2105010	NYLON CLAMP 3N,NK-3N	1	1	1
	45	3BR07290	SHAFT,LEADING FEED	1	1	1
	46	29806710	PULLEY,RELEASE LEVER	2	2	2
	47	3AL08170	PULLEY,EJECT	2	2	2
	48	65016080	STOP RING E3	3	3	3
	49	C2804100	POLYESTER SLIDER WASHER 4.1X10X0.5T	5	5	5

- Parts with "●●" are component parts or sub-assembly with "●" appearing immediately above them.

FIG. 7 AUTO DOCUMENT FEEDER II (KM-1810)

2A1/2A2

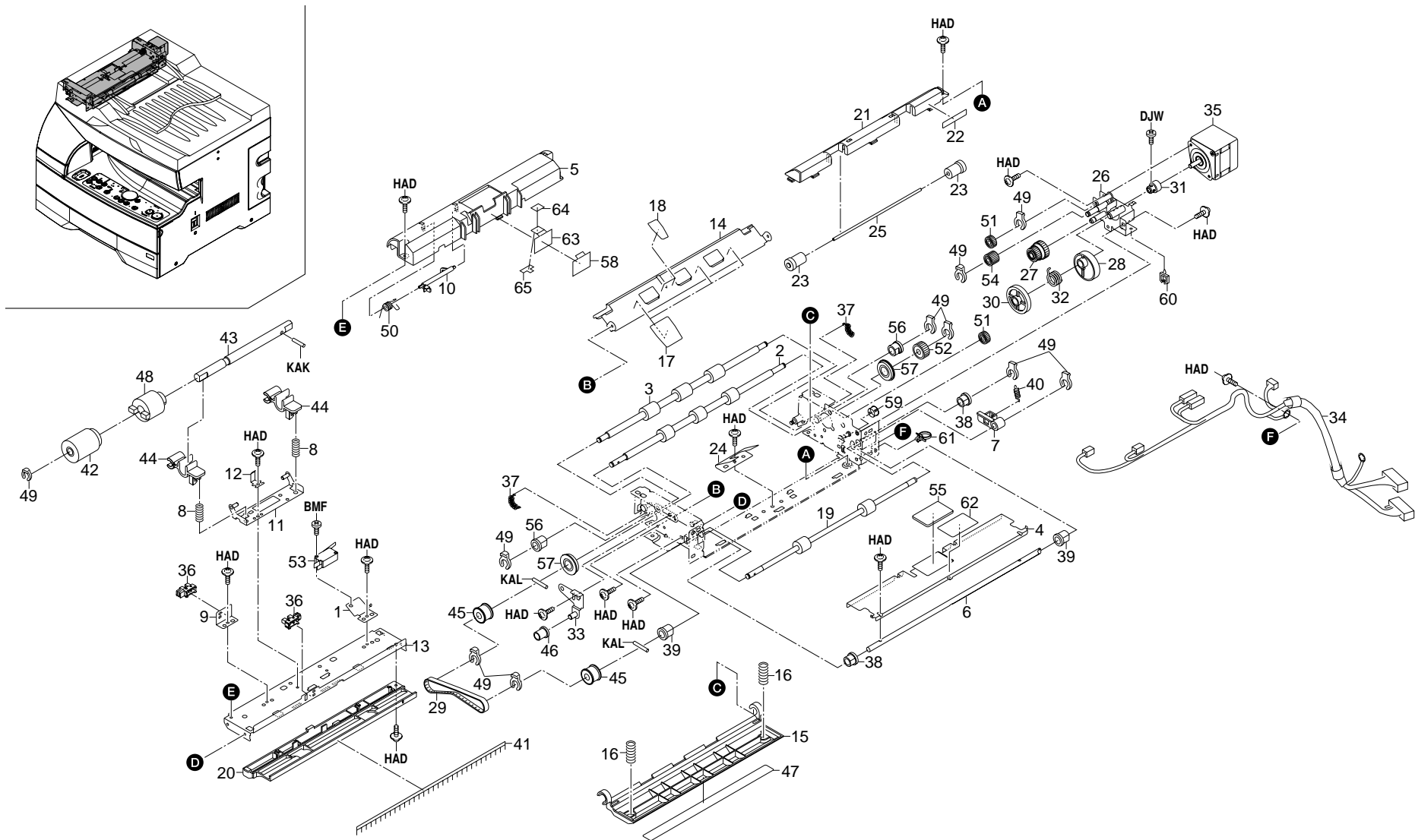


FIG. 7 AUTO DOCUMENT FEEDER II (KM-1810)

2A1/2A2

SP	Ref. No.	Part. No.	Description	Quantity		
				120V	230V	240V
●	1	3BR02080	MOUNT,RELEASE SWITCH	1	1	1
●	2	3BR07020	UPPER ROLLER,REGISTRATION	1	1	1
●	3	3BR07030	LOWER ROLLER,REGISTRATION	1	1	1
	4	3BR07050	GUIDE,LIFT	1	1	1
	5	3BR07060	GUIDE,PAPER FEED	1	1	1
	6	3BR07080	SHAFT,LIFT	1	1	1
	7	3BR07120	LEVER,LIFT	1	1	1
	8	3BR07180	SPRING,SEPARATION PULLEY	2	2	2
	9	3BR07190	MOUNT,TIMING SWITCH	1	1	1
●	10	3BR07200	ACTUATOR,TIMING SWITCH	1	1	1
	11	3BR07210	MOUNT,SEPARATION PULLEY	1	1	1
	12	3BR07240	GROUND PLATE,SEPARATION PULLEY	1	1	1
	13	3BR08010	STAY,CONVEYING	1	1	1
	14	3BR08020	GUIDE,CONVEYING	1	1	1
	15	3BR08030	GUIDE,READING	1	1	1
	16	3BR08040	SPRING,READING	2	2	2
	17	3BR08050	FILM A,CONVEYING	3	3	3
	18	3BR08060	FILM B,CONVEYING	2	2	2
●	19	3BR10010	UPPER ROLLER,EJECT	1	1	1
	20	3BR10030	UPPER GUIDE,EJECT	1	1	1
	21	3BR10040	LOWER GUIDE,EJECT	1	1	1
	22	3BR10050	FILM,EJECT	1	1	1
	23	3BR10060	PULLEY,FEED	2	2	2
	24	3BR10070	PLATE SPRING,EJECT PULLEY	1	1	1
	25	3BR10080	SHAFT,EJECT PULLEY	1	1	1
	26	3BR22010	MOUNT,ADF MOTOR	1	1	1
	27	3BR22020	GEAR 42/20,PAPER FEED	1	1	1
●	28	3BR22030	CAM,LIFT	1	1	1
	29	3BR22040	BELT 192,CONVEYING	1	1	1
	30	3BR22060	GEAR 38,LIFT	1	1	1
●	31	3BR22070	GEAR,DRIVE ADF	1	1	1
●	32	3BR22080	SQUARE SPRING,CAM	1	1	1
	33	3BR22090	TENSION PLATE B,DRIVE	1	1	1
	34	3BR27010	WIRE,ADF	1	1	1
●	35	3BR27020	MOTOR,ADF	1	1	1
●	36	2A127050	SWITCH,PHOTO INTERRUPTOR	2	2	2
	37	28107301	PRESSING SPRING	2	2	2
●	38	29806560	BUSHING 6	2	2	2
●	39	29806810	BUSHING,6 REGISTRATION	2	2	2
	40	3BR07360	SPRING,LIFT	1	1	1

- Parts with "●" are component parts or sub-assemblies of the assembly appearing immediately above them.
- Parts with "●" indicates the Service parts.

SP	Ref. No.	Part. No.	Description	Quantity		
				120V	230V	240V
●	41	3AL07250	REAR STATIC ELIMINATOR,PAPER FEED	1	1	1
	42	3A707020	PULLEY,PAPER FEED	1	1	1
	43	3A707070	SHAFT,SEPARATION	1	1	1
	44	3A707090	HOLDER,SEPARATION PULLEY	2	2	2
	45	3A722040	PULLEY 24,CONVEYING	2	2	2
	46	3A722090	PULLEY,DRIVE	1	1	1
●	47	3BP11300	SHEET,READING	1	1	1
●	48	33906070	TORQUE LIMITER,PAPER FEED	1	1	1
	49	34806150	STOPPER 5	10	10	10
	50	35320300	SPRING,EJECT ACTUATOR	1	1	1
	51	35322020	GEAR 20,PAPER FEED DRIVE	2	2	2
●	52	35911790	GEAR 20,PAPER FEED PULLEY	1	1	1
●	53	63527020	SAFETY,SWITCH	1	1	1
	54	65011310	GEAR 20,IDLE	1	1	1
●	55	3BR07270	PAD,LIFT	1	1	1
●	56	72107160	BUSHING 6,LOWER REGISTRATION ROLLER	2	2	2
	57	74808080	BEARING,686ZZNR	2	2	2
	58	3BR07350	FRONT FILM,PAD SEPARATION	1	1	1
	59	M1203200	OPEN BUSHING,OCB-375	1	1	1
	60	M2105720	MINIATURE CLAMP,UAMS-05-2	1	1	1
	61	M2107120	BINDING BAND SG-130	1	1	1
	62	3BR07280	FILM,LIFT	1	1	1
	63	3BR07310	FRONT PLATE SPRING,SEPARATION	1	1	1
	64	3BR07320	FRONT PAD,SEPARATION	1	1	1
	65	3BR07330	FRONT FILM,SEPARATION	1	1	1

- Parts with "●●" are component parts or sub-assembly with "●" appearing immediately above them.

FIG. 8 OPTICAL SECTION

2A1/2A2

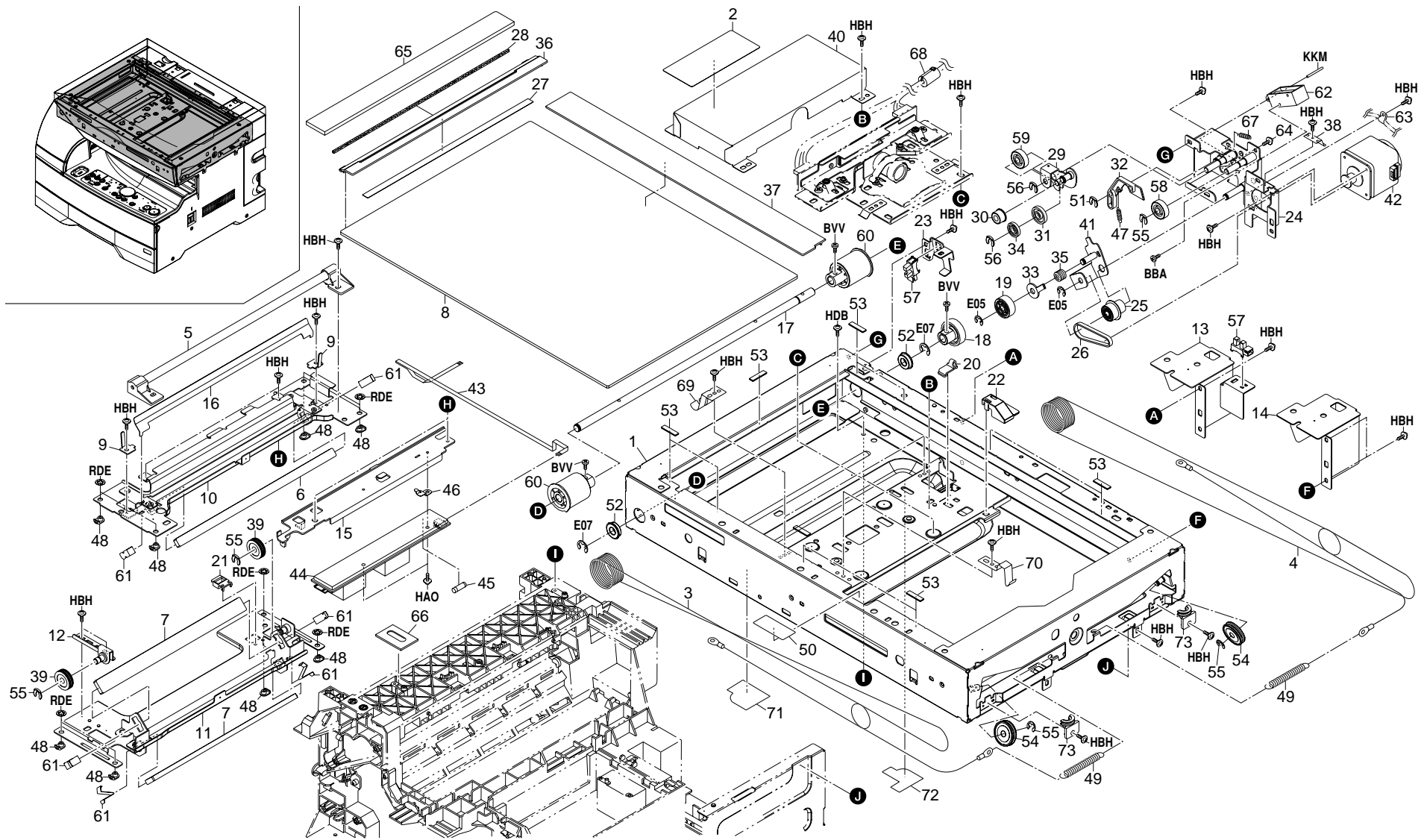


FIG. 8 OPTICAL SECTION

2A1/2A2

SP	Ref. No.	Part. No.	Description	Quantity		
				120V	230V	240V
	1	2A100010	SCANNER FRAME ASS'Y	1	1	1
	2	2A105180	LABEL,CAUTION CONTACT GLASS	1	1	1
●	3	2A112080	FRONT WIRE,SCANNER	1	1	1
●	4	2A112090	REAR WIRE,SCANNER	1	1	1
●	5	2A193030	PARTS,LAMP SCANNER(SP)	1	1	1
●	6	2A112111	MIRROR A	1	1	1
●	7	2A112120	MIRROR B	2	2	2
●	8	2A112160	CONTACT GLASS	1	1	1
	9	2A112170	RETAINER,WIRE	2	2	2
	10	2A112180	MIRROR FRAME A	1	1	1
	11	2A112190	MIRROR FRAME B	1	1	1
	12	2A112200	ADJUSTING PLATE B,MIRROR FRAME	1	1	1
	13	2A112210	LEFT MOUNT,DF HINGE	1	1	1
	14	2A112220	RIGHT MOUNT,DF HINGE	1	1	1
	15	2A112230	COVER,INVERTER	1	1	1
	16	2A112240	REFLECTOR,SCANNER	1	1	1
	17	2A112250	SHAFT,SCANNER DRIVE	1	1	1
●	18	2A112260	GEAR Z30	1	1	1
●	19	2A112270	GEAR Z23	1	1	1
	20	2A112280	HOLDER,FFC	1	1	1
	21	2A112290	GUIDE FFC2	1	1	1
	22	2A112300	HOLDER,ISU WIRE	1	1	1
	23	2A112310	MOUNT,SCANNER PI	1	1	1
●	24	2A112320	MOUNT,SCANNER MOTOR	1	1	1
●	25	2A112330	GEAR 27/13,SCANNER DRIVE	1	1	1
●	26	2A112340	BELT S2M60,SCANNER	1	1	1
●	27	2A112350	STANDARD PLATE,SHADING	1	1	1
●	28	2A112360	SPONGE,ORIGINAL SIZE INDICATOR	1	1	1
	29	2A112370	MOUNT,DRIVE SHIFT (KM-1510)	1	1	1
●	30	2A112380	GEAR 13,DRIVE SHIFT (KM-1510)	1	1	1
●	31	2A112390	GEAR 25,DRIVE SHIFT (KM-1510)	1	1	1
●	32	2A112400	LEVER,DRIVE SHIFT (KM-1510)	1	1	1
●	33	2A112410	FRICTION PLATE,DRIVE SHIFT	1	1	1
	34	2A112420	COLLAR,JOINT (KM-1510)	1	1	1
	35	2A112430	SPRING,FRICTION PLATE	1	1	1
●	36	2A112441	LEFT ORIGINAL SIZE INDICATOR,ORIGINAL	1	1	1
●	37	2A112451	REAR ORIGINAL SIZE INDICATOR,ORIGINAL	1	1	1
	38	2A112470	GROUND PLATE,SCANNER MOTOR	1	1	1
	39	2A112490	PULLEY B,MIRROR FRAME	2	2	2
	40	2A112520	COVER,ISU	1	1	1

SP	Ref. No.	Part. No.	Description	Quantity		
				120V	230V	240V
	41	2A112530	WORK PLATE,SCANNER DRIVE	1	1	1
●	42	2A193110	PARTS,MOTOR ISU(SP)	1	1	1
	43	2A127780	WIRE,ISU	1	1	1
●	44	2A128020	INVERTER PCB	1	1	1
●	45	●M1651000	FUSE,250V 1,25A MINI 239	1	1	1
	46	2AC12440	GROUND PLATE,INVERTER	1	1	1
	47	2AR22160	SPRING,FIXING TENSION (KM-1510)	1	1	1
●	48	2AV12450	SLIDER,SCANNER	8	8	8
●	49	2AV12500	SPRING,SCANNER TENSION	2	2	2
	50	2A112680	FRONT SEAL,SCANNER	1	1	1
	51	2A806250	RING STOPPER (KM-1510)	1	1	1
●	52	28107400	BEARING,688ZZNR	2	2	2
●	53	29812291	CUSHION,CONTACT GLASS	9	9	9
	54	33912150	PULLEY,WIRE	2	2	2
	55	34806150	STOPPER 5	5	5	5
	56	34806150	STOPPER 5 (KM-1510)	2	2	2
●	57	35327400	SWITCH,FEED	2	2	2
●	58	35411070	GEAR 21,IDLE	1	1	1
●	59	35411070	GEAR 21,IDLE (KM-1510)	1	1	1
	60	35912060	PULLEY,SCANNER DRUM	2	2	2
	61	35912210	SPRING,MIRROR HOLDER	6	6	6
●	62	62227070	SOLENOID B,FEED SHIFT (KM-1510)	1	1	1
	63	M2105020	NYLON CLAMP 4N,NK-4N	1	1	1
●	64	B4303080	TRIPLE SCREW M3X8(BLACK) (KM-1510)	1	1	1
	65	2A112130	CONTACT GLASS,DF	1	1	1
	66	2A112670	SPONGE,SCANNER BASE	1	1	1
	67	2A112640	SPRING,JOINT DRIVE (KM-1510)	1	1	1
	68	65027470	CORE,7-15X18	1	1	1
	69	2A112620	LEFT GROUND PLATE,ISU MOUNT	2	2	2
	70	2A112630	RIGHT GROUND PLATE,ISU MOUNT	1	1	1
●	71	2A112650	FRONT SEAL,SCANNER BASE	1	1	1
●	72	2A112660	REAR SEAL,SCANNER BASE	1	1	1
	73	18512340	GUIDE,SCANNER WIRE	2	2	2

- Parts with "●" are component parts or sub-assemblies of the assembly appearing immediately above them.
- Parts with "●●" indicates the Service parts.

- Parts with "●●●" are component parts or sub-assembly with "●●" appearing immediately above them.

FIG. 9 LASER SCANNER UNIT

2A1/2A2

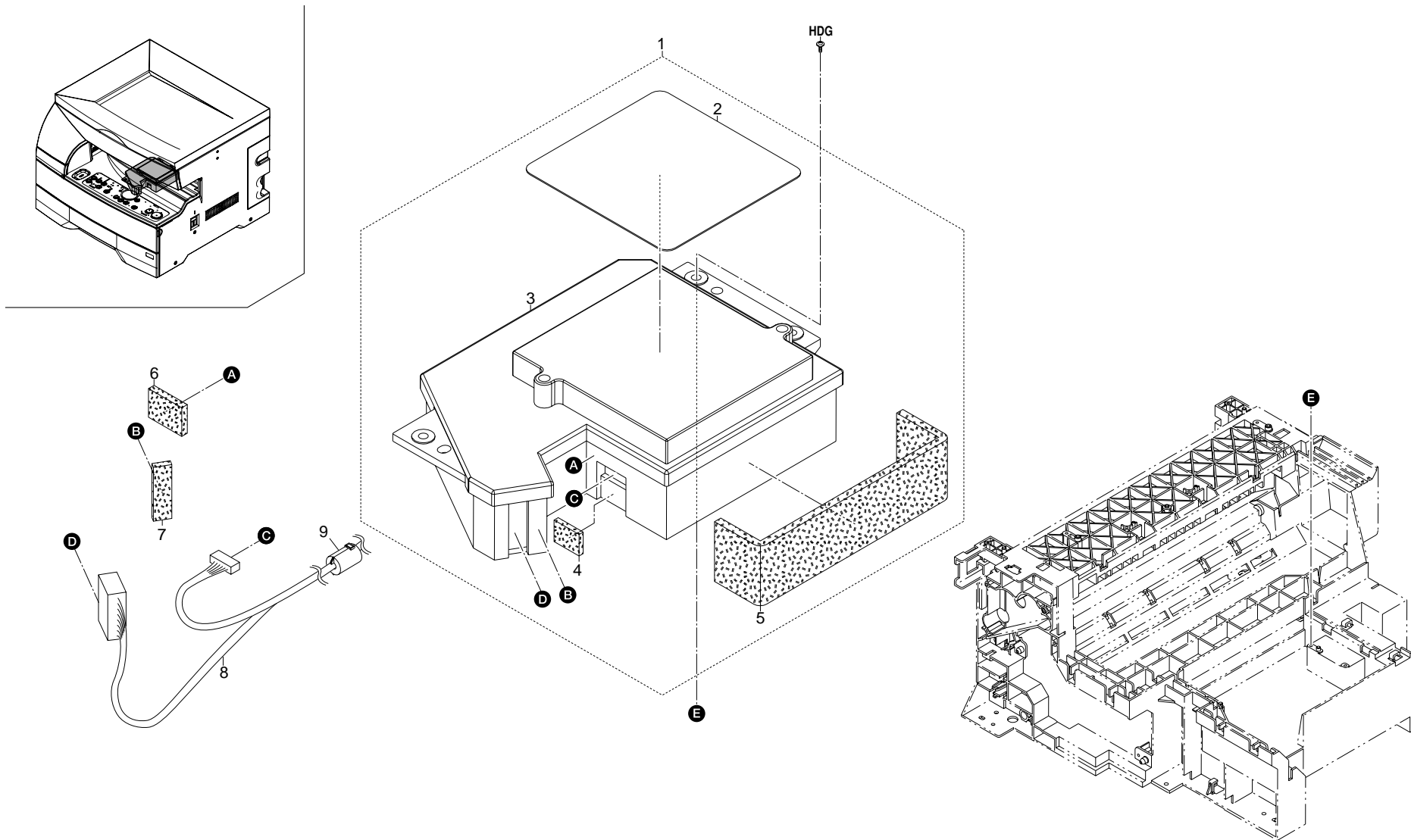


FIG. 9 LASER SCANNER UNIT

2A1/2A2

SP	Ref. No.	Part. No.	Description	Quantity		
				120V	230V	240V
●	1	2A168041	LSU ASS'Y	1	1	1
●	2	•2A105131	LABEL,LASER UNIT	1	1	1
	3	•2A113010	UNIT,LSU	1	1	1
●	4	•2A113020	SPONGE 1,LSU	1	1	1
●	5	•2A113050	SPONGE 4,LSU	1	1	1
●	6	2A113030	SPONGE 2,LSU	1	1	1
●	7	2A113040	SPONGE 3,LSU	1	1	1
	8	2A127860	WIRE,LSU	1	1	1
	9	33927580	CORE 9-20X32	1	1	1

- Parts with "•" are component parts or sub-assemblies of the assembly appearing immediately above them.
- Parts with "●" indicates the Service parts.

- Parts with "••" are component parts or sub-assembly with "•" appearing immediately above them.

FIG. 10 IMAGING UNIT (DEVELOPING SECTION)

2A1/2A2

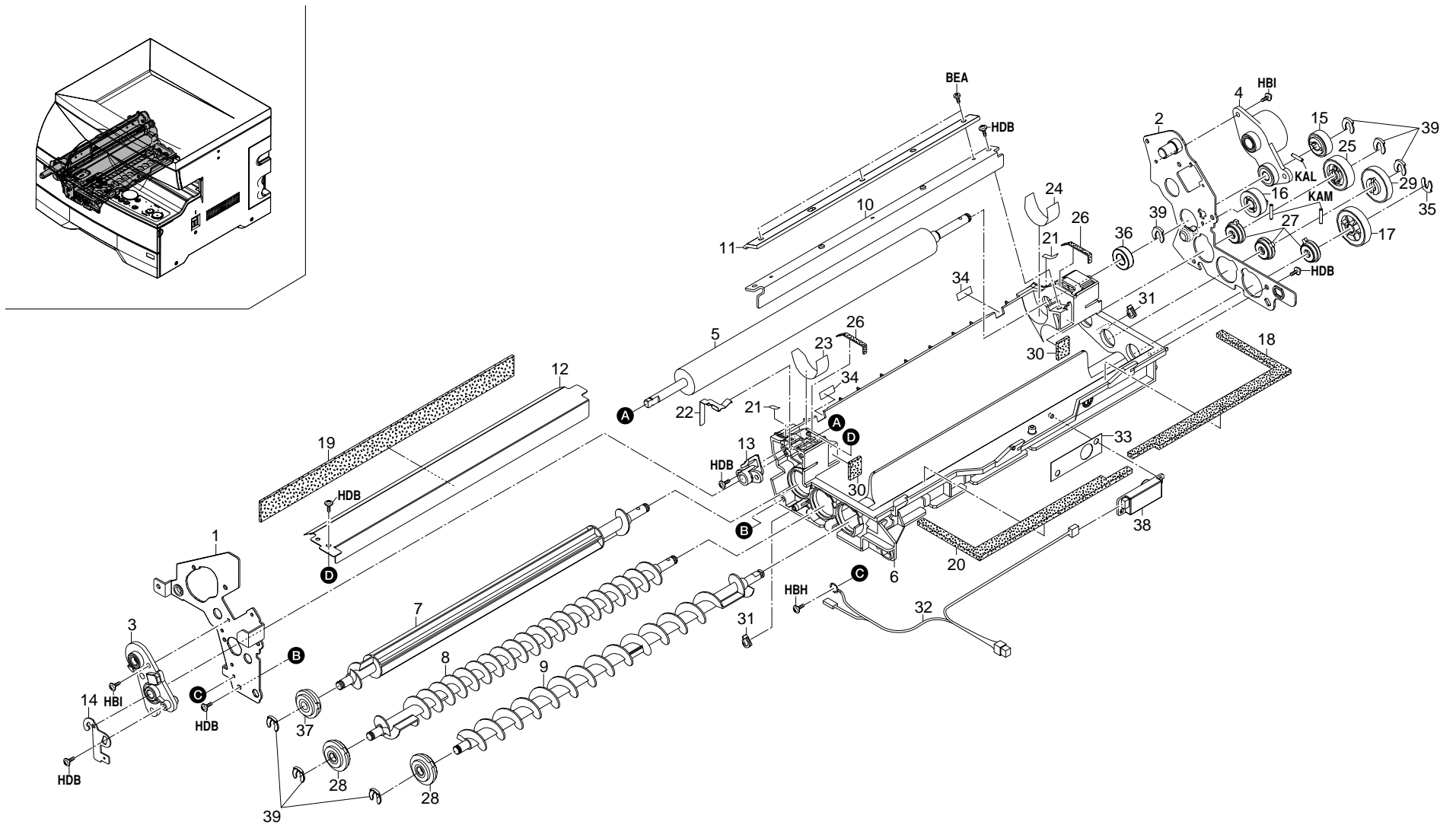


FIG. 10 IMAGING UNIT (DEVELOPING SECTION)

2A1/2A2

SP	Ref. No.	Part. No.	Description	Quantity		
				120V	230V	240V
	1	2A109010	FRONT FRAME,IMAGE FORMATION	1	1	1
	2	2A109020	REAR FRAME,IMAGE FORMATION	1	1	1
	3	2A109030	FRONT BUSHING,IMAGE FORMATION	1	1	1
	4	2A109040	REAR BUSHING,IMAGE FORMATION	1	1	1
	5	2A114010	MAGNET,DEVELOPING	1	1	1
	6	2A114021	HOUSING,DEVELOPING	1	1	1
	7	2A114030	PADDLE,DEVELOPING	1	1	1
	8	2A114040	LEFT SPIRAL,DEVELOPING	1	1	1
	9	2A114050	RIGHT SPIRAL,DEVELOPING	1	1	1
	10	2A114060	MOUNT,DOCTOR BLADE	1	1	1
	11	2A114070	DOCTOR BLADE,DEVELOPING	1	1	1
●	12	2A114080	UPPER SEAL,DEVELOPING	1	1	1
	13	2A114090	FRONT BUSHING,MAGNET ROLLER	1	1	1
	14	2A114100	RETAINER,MAGNET ROLLER	1	1	1
●	15	2A114110	GEAR 16,MAGNET ROLLER	1	1	1
●	16	2A114120	GEAR 17,IDLE	1	1	1
●	17	2A114130	RIGHT GEAR 26,SPIRAL	1	1	1
●	18	2A114161	REAR SPONGE,DEVELOPING	1	1	1
●	19	2A114170	UPPER SPONGE,DEVELOPING SEAL	1	1	1
●	20	2A114181	FRONT SPONGE,DEVELOPING	1	1	1
●	21	2A114190	SEAL,DEVELOPING	2	2	2
	22	2A114200	UPPER TERMINAL,DEVELOPING SEAL	1	1	1
	23	2A114260	FRONT SEAL,MAGNET ROLLER	1	1	1
	24	2A114270	REAR SEAL,MAGNET ROLLER	1	1	1
●	25	2A114280	GEAR 22,PADDLE	1	1	1
●	26	2A114290	SPONGE,DEVELOPING	2	2	2
●	27	2A114300	BUSHING 6-16,DEVELOPING	3	3	3
●	28	2A114311	BUSHING 6-21,DEVELOPING	2	2	2
●	29	2A114320	GEAR 24,DEVELOPING	1	1	1
●	30	2A114330	INNER SPONGE,DEVELOPING	2	2	2
	31	2A114360	SPACER,DEVELOPING	2	2	2
	32	2A127850	JUNCTION WIRING,DEVELOPING	1	1	1
●	33	2AR14160	SPACER,TONER SENSOR	1	1	1
●	34	2AR14300	LOWER FILM,DEVELOPING	2	2	2
	35	2A806250	RING STOPPER	1	1	1
●	36	45592554	BEARING 688ADD	1	1	1
●	37	49028113	BUSHING 6-19,DEV.UNIT	1	1	1
●	38	33914190	TONER SENSOR	1	1	1
	39	34806150	STOPPER 5	7	7	7

- Parts with "●" are component parts or sub-assemblies of the assembly appearing immediately above them.
- Parts with "●" indicates the Service parts.

- Parts with "●●" are component parts or sub-assembly with "●" appearing immediately above them.

FIG. 11 IMAGING UNIT (CLEANING SECTION)

2A1/2A2

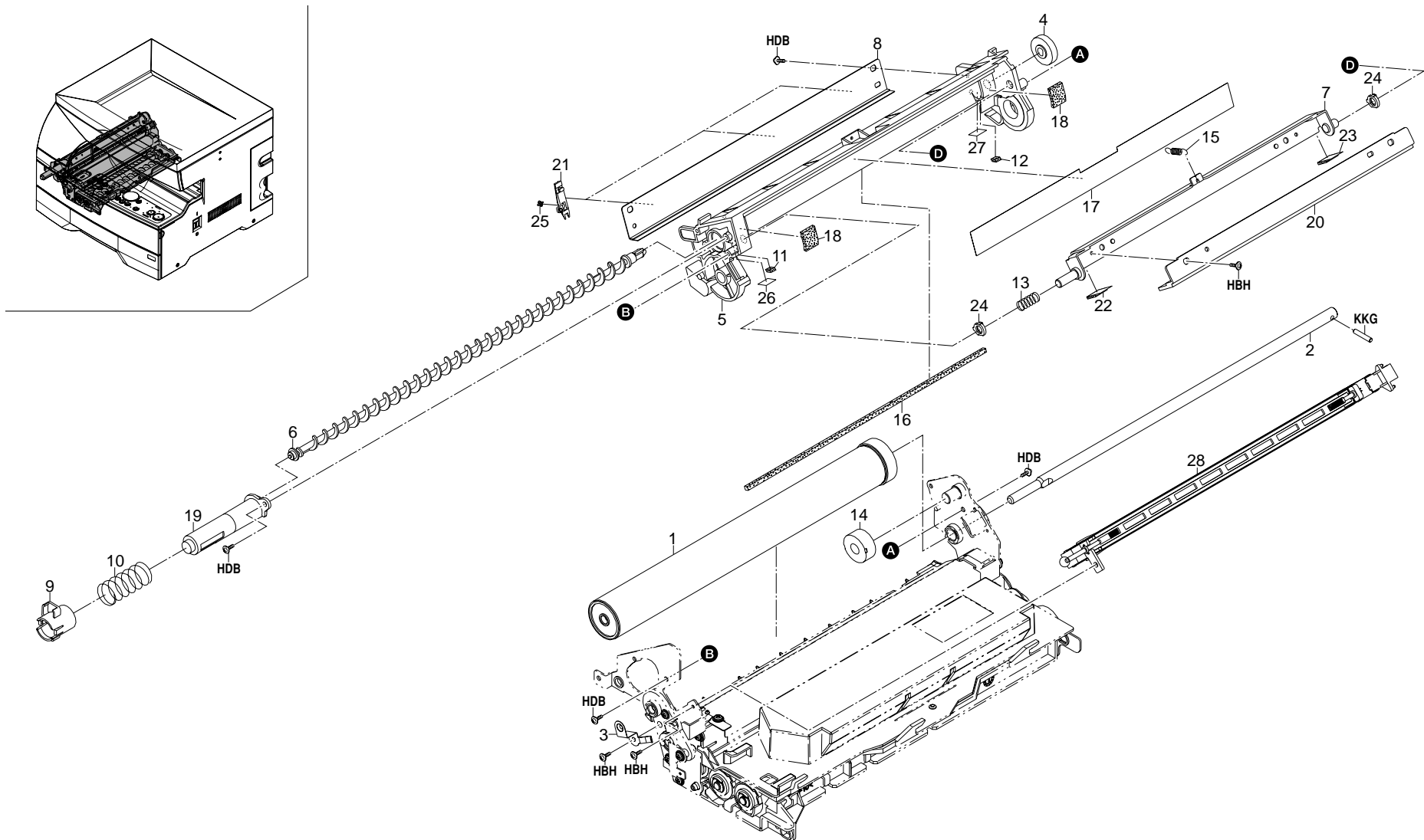


FIG. 11 IMAGING UNIT (CLEANING SECTION)

2A1/2A2

SP	Ref. No.	Part. No.	Description	Quantity		
				120V	230V	240V
●	1	2A182010	SET,DRUM(NEUTRAL)	1	1	1
	2	2A108021	SHAFT,DRUM	1	1	1
	3	2A108030	GROUND PLATE,DRUM	1	1	1
●	4	34918090	GEAR 19,DISPOSAL	1	1	1
	5	2A118014	HOUSING,CLEANING	1	1	1
	6	2A118020	SPIRAL,CLEANING	1	1	1
	7	2A118050	MOUNT,BLADE	1	1	1
●	8	2A193040	PARTS,BLADE CLEANING LOWER(SP)	1	1	1
	9	2A118070	SHUTTER,DISPOSAL	1	1	1
	10	2A118080	SPRING,SHUTTER	1	1	1
●	11	2A118101	FRONT SPONGE,CLEANING	1	1	1
●	12	2A118111	REAR SPONGE,CLEANING	1	1	1
	13	2A118140	SPRING,THRUST	1	1	1
●	14	2A118150	GEAR 25,THRUST	1	1	1
	15	2A118160	SPRING,BLADE	1	1	1
●	16	2A118190	INNER SPONGE,CLEANING	1	1	1
	17	2A118200	INNER FILM,CLEANING	1	1	1
●	18	2A118261	UPPER SPONGE,CLEANING	2	2	2
	19	2A118280	PIPE,SPIRAL	1	1	1
●	20	2A193050	PARTS,BLADE CLEANING B(SP)	1	1	1
●	21	2A118300	CLAW,DRUM SEPARATION	3	3	3
●	22	2A118312	FRONT SPONGE,BLADE	1	1	1
●	23	2A118323	REAR SPONGE,BLADE	1	1	1
●	24	2A118350	BUSHING,BLADE MOUNT	2	2	2
●	25	2A118370	PULLEY,DRUM SEPARATION	3	3	3
●	26	2A118380	FRONT SEAL K,CLEANING	1	1	1
●	27	2A118390	REAR SEAL K,CLEANING	1	1	1
●	28	2A168010	MAIN CHARGER ASS'Y	1	1	1

- Parts with "●" are component parts or sub-assemblies of the assembly appearing immediately above them.
- Parts with "●" indicates the Service parts.

- Parts with "●●" are component parts or sub-assembly with "●" appearing immediately above them.

FIG. 12 FIXING SECTION

2A1/2A2

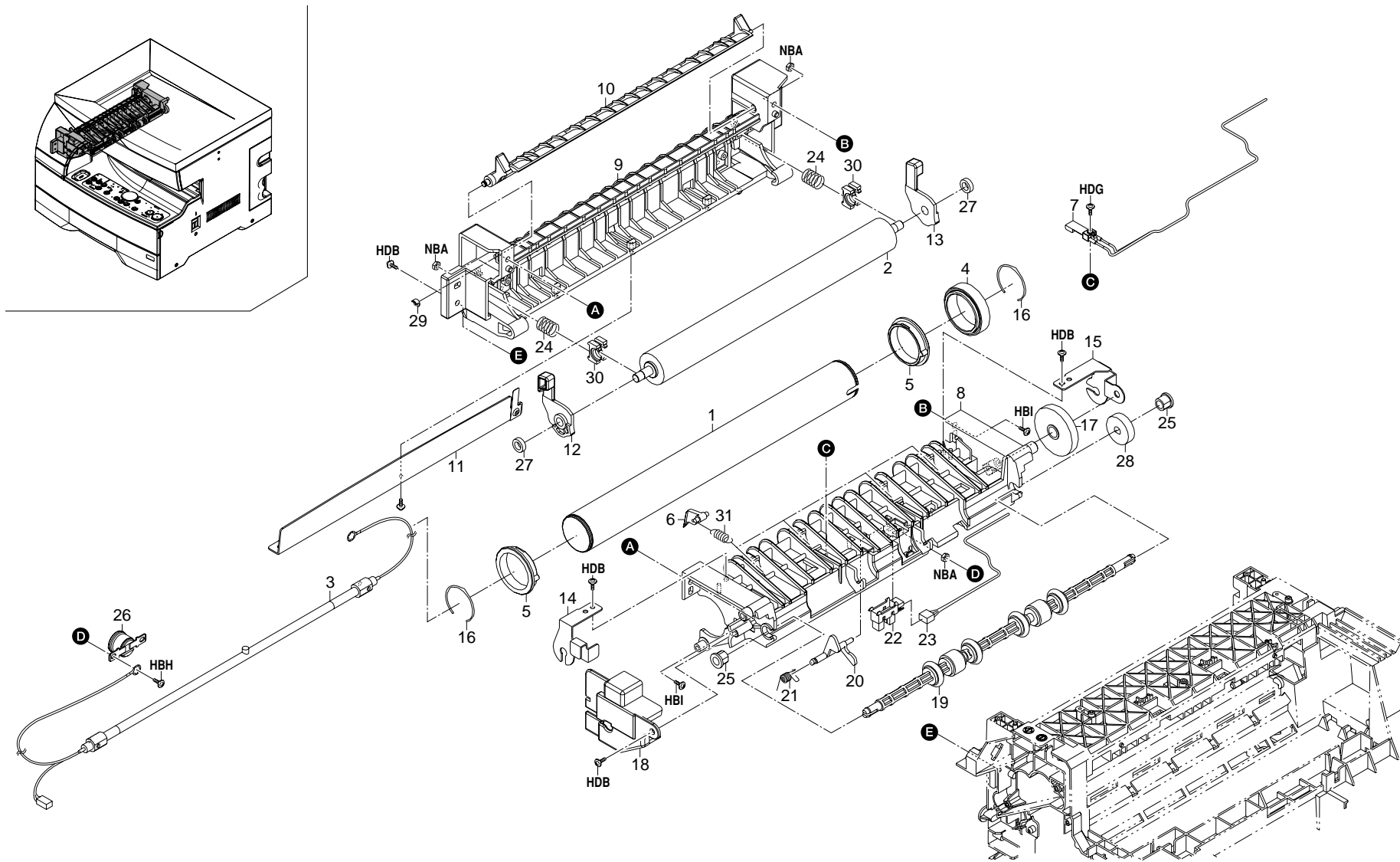


FIG. 12 FIXING SECTION

2A1/2A2

SP	Ref. No.	Part. No.	Description	Quantity		
				120V	230V	240V
●	1	2A193060	PARTS,ROLLER HEAT(SP)	1	1	1
●	2	2A193070	PARTS,ROLLER PRESS(SP)	1	1	1
●	3	2A193080	PARTS,HEATER FIXING 120(SP)	1		
●	3	2A193090	PARTS,HEATER FIXING 240(SP)		1	1
●	4	2A120050	GEAR,HEAT ROLLER	1	1	1
●	5	2A120060	BUSHING,HEAT ROLLER	2	2	2
●	6	2A120071	SEPARATION CLAW,HEAT ROLLER	4	4	4
●	7	2A120080	THERMISTOR, FIXING	1	1	1
	8	2A120090	RIGHT HOUSING, FIXING	1	1	1
	9	2A120100	LEFT HOUSING, FIXING	1	1	1
	10	2A120110	UPPER GUIDE, FIXING	1	1	1
	11	2A120120	LOWER GUIDE, FIXING	1	1	1
●	12	2A120130	FRONT LEVER, FIXING PRESSURE RELEASE	1	1	1
●	13	2A120140	REAR LEVER, FIXING PRESSURE RELEASE	1	1	1
	14	2A120150	FRONT SUPPORT PLATE, FIXING HEATER	1	1	1
	15	2A120160	REAR SUPPORT PLATE, FIXING HEATER	1	1	1
	16	2A120170	HOLDER, HEAT ROLLER	2	2	2
●	17	2A120240	GEAR 44, FIXING IDLE	1	1	1
●	18	2A120250	FRONT COVER, FIXING	1	1	1
●	19	2A121010	ROLLER, EJECT	1	1	1
●	20	2A121030	ACTUATOR, EJECT SWITCH	1	1	1
●	21	2A121040	SPRING, EJECT SWITCH	1	1	1
●	22	2A127050	SWITCH, PHOTO INTERRUPTOR	1	1	1
	23	2A127550	JUNCTION WIRING, EJECT SWITCH	1	1	1
●	24	2A120260	SPRING, PRESS ROLLER	2	2	2
	25	2A806030	BUSH FEED	2	2	2
●	26	36220210	LEFT THERMOSTAT, FIXING	1	1	1
●	27	63820190	BEARING, FIXING UNIT	2	2	2
	28	65014160	RIGHT GEAR 25, TONER SUPPLY	1	1	1
	29	65016080	STOP RING E3	1	1	1
	30	68820280	HOLDER, BEARING	2	2	2
●	31	75720240	SPRING SEPARATION CLAW	4	4	4

- Parts with "●" are component parts or sub-assemblies of the assembly appearing immediately above them.
- Parts with "●" indicates the Service parts.

- Parts with "●●" are component parts or sub-assembly with "●" appearing immediately above them.

FIG. 13 DRIVING SECTION

2A1/2A2

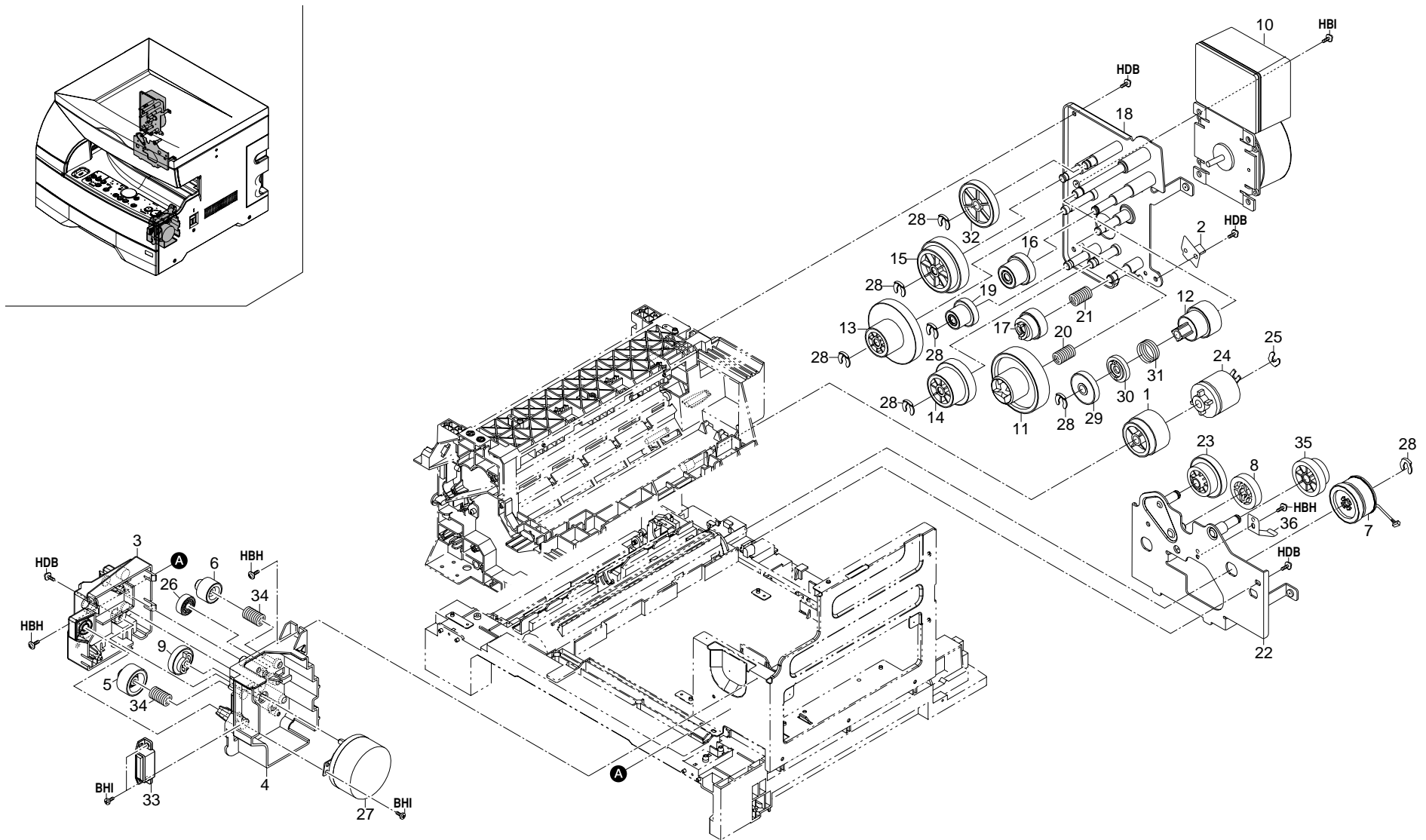


FIG. 13 DRIVING SECTION

2A1/2A2

SP	Ref. No.	Part. No.	Description	Quantity		
				120V	230V	240V
●	1	2A106090	GEAR 32,REGISTRATION CLUTCH	1	1	1
	2	2A106100	GROUND PLATE,REGISTRATION ROLLER	1	1	1
●	3	2A115010	HOUSING,CARTRIDGE DRIVE	1	1	1
	4	2A115020	MOUNT,CARTRIDGE DRIVE	1	1	1
●	5	2A115030	GEAR 24A,CARTRIDGE DRIVE	1		
	5	2A115050	GEAR 24B,CARTRIDGE DRIVE		1	1
●	6	2A115040	GEAR 18A,CARTRIDGE DRIVE	1		
	6	2A115060	GEAR 18B,CARTRIDGE DRIVE		1	1
●	7	2AV27330	CLUTCH,PAPER FEED	1	1	1
●	8	34922570	GEAR 23,DEVELOPING	1	1	1
	9	2A115070	GEAR,TONER MOTOR	1	1	1
●	10	2A193100	PARTS,MOTOR MAIN(SP)	1	1	1
●	11	2A122020	GEAR 53,DRUM DRIVE	1	1	1
●	12	2A122030	GEAR 28/20,COUPLER	1	1	1
●	13	2A122040	GEAR 97/25	1	1	1
●	14	2A122050	GEAR 67/30	1	1	1
●	15	2A122060	GEAR 45/40	1	1	1
	16	2A122080	GEAR 26/20	1	1	1
●	17	2A122100	COUPLING,DEVELOPING DRIVE	1	1	1
	18	2A122110	MOUNT,MACHINE DRIVE	1	1	1
●	19	2A122150	GEAR 23/16	1	1	1
	20	2A122190	SPRING,DRUM COUPLING	1	1	1
●	21	2A122200	SPRING,DEVELOPING COUPLING	1	1	1
	22	2A122120	MOUNT,PAPER FEED DRIVE	1	1	1
●	23	2A122160	GEAR 37/21	1	1	1
	24	2A127080	CLUTCH,REGISTRATION	1	1	1
●	25	2A806250	RING STOPPER	1	1	1
	26	29822230	GEAR 16T,PF IDLE	1	1	1
●	27	33915190	TONER MOTOR	1	1	1
	28	34806150	STOPPER 5	7	7	7
●	29	35322190	GEAR 28,FIXING COUPLER	1	1	1
	30	35322200	COUPLER,FIXING DRIVE	1	1	1
●	31	35322210	SPRING,FIXING COUPLER	1	1	1
	32	63822220	GEAR,41	1	1	1
●	33	71804400	MAGNET,LOWER FRONT COVER	1	1	1
	34	73818100	SPRING, BLADE THRUST	2	2	2
●	35	2A122180	GEAR 32/18	1	1	1
	36	2A102510	LEFT HPLDER,CASSETTE	1	1	1

- Parts with "●" are component parts or sub-assemblies of the assembly appearing immediately above them.
- Parts with "●" indicates the Service parts.

- Parts with "●●" are component parts or sub-assembly with "●" appearing immediately above them.

FIG. 14 ELECTRICAL COMPONENTS

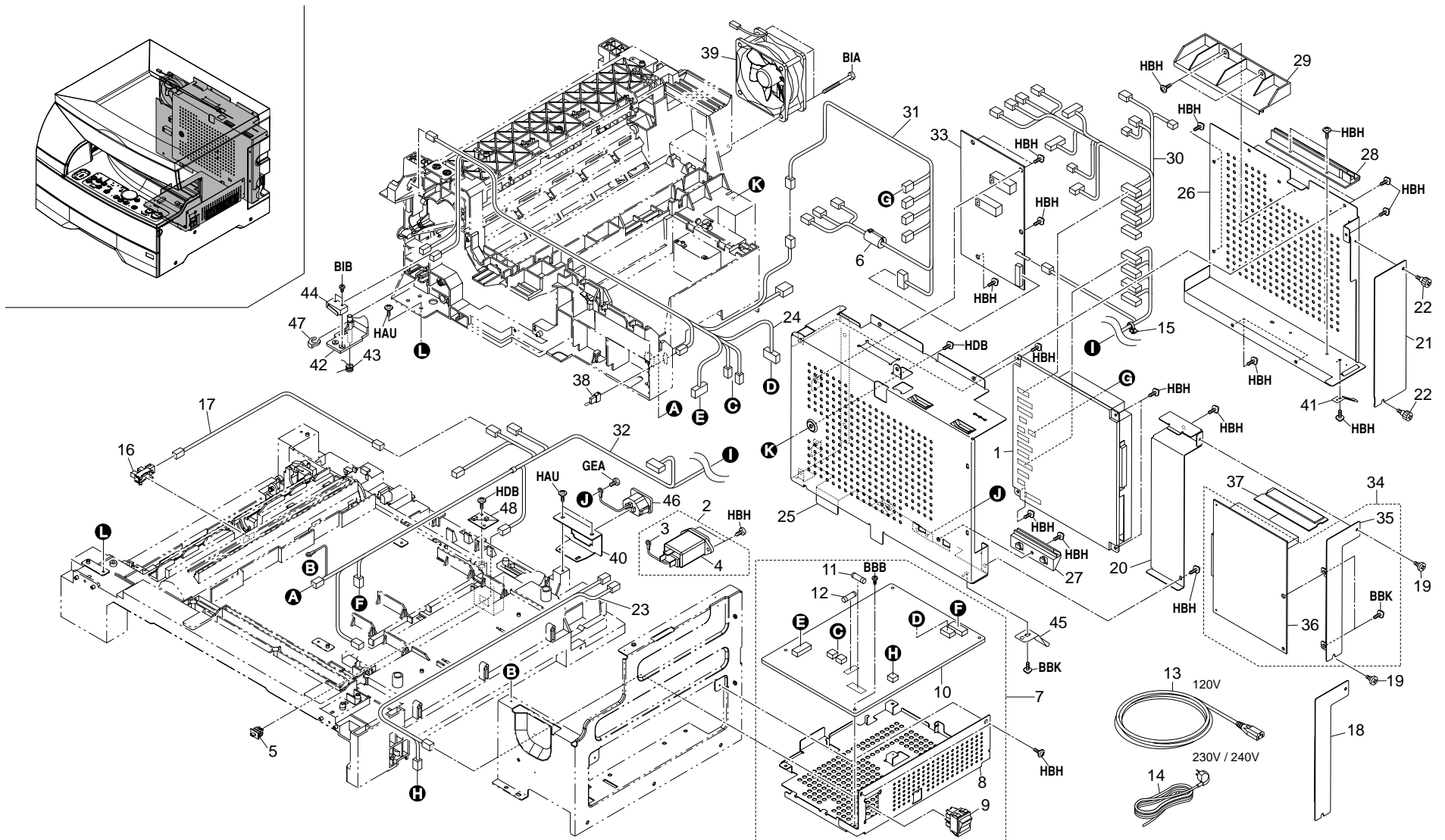


FIG. 14 ELECTRICAL COMPONENTS

SP	Ref. No.	Part. No.	Description	Quantity		
				120V	230V	240V
●	1	2A101022	MAIN PCB ASS'Y (KM-1510)		1	1
●	1	2A101060	MAIN PCB ASS'Y(F C C) (KM-1510)	1		
●	1	2A201020	MAIN PCB ASS'Y (KM-1810)		1	1
●	1	2A201030	MAIN PCB ASS'Y(F C C) (KM-1810)	1		
	2	2A101050	NOISE FILTER ASS'Y(230)		1	1
	3	•L0223130	ROUND TYPE TERMINAL,M4,LRT-51T-4FE		1	1
	4	•63127120	NOISE FILTER,10A		1	1
●	5	35927420	SWITCH,SIZE	1	1	1
	6	65027470	CORE,7-15X18	1	1	1
●	7	2A193010	PARTS,POWER SOURCE ASS'Y 120(SP)	1		
●	7	2A193020	PARTS,POWER SOURCE ASS'Y 230(SP)		1	1
	8	•2A126160	MOUNT,POWER SOURCE PCB	1		
●	9	•2A127070	SWITCH,MAIN	1		
	10	•2A128051	POWER SOURCE PCB 120	1		
	10	•2A128061	POWER SOURCE PCB 230		1	1
●	11	••M1661000	FUSE 15A,314015	1		
●	11	••M1756010	FUSE S506-6,3A(BUSSMANN)		1	1
●	12	••M1655030	FUSE,237005(LITTEL)	1		
●	12	••M1753010	FUSE S506-3,15A(BUSSMANN)		1	1
	13	2AL27090	POWER CORD(USA)	1		
	14	2AN27360	POWER CORD(230)		1	1
	15	M2607010	BINDING BAND,PLT1M	1	1	1
●	16	2A127050	SWITCH,PHOTO INTERRUPTOR	1	1	1
	17	2A127830	JUNCTION WIRING,REGISTRATION SW	1	1	1
	18	2A126030	SHIELD,MEMORY BOARD (KM-1510)	1	1	1
	19	2A126130	PIN,OPTION	2	2	2
	20	2A126150	COVER PCB,SHIELD	1	1	1
	21	2AV26220	LOWER LID,SHIELD	1	1	1
	22	3BH26030	PIN,OPTION	2	2	2
	23	2A127791	WIRE,INLET	1		
	23	2A127601	WIRE,INLET(230)		1	1
	24	2A127820	WIRE,FIXING HEATER	1	1	1
	25	2A126010	MOUNT,MAIN PCB	1	1	1
	26	2A126020	SHIELD,PCB	1	1	1
	27	2A126060	GUIDE,MEMORY BOARD	1	1	1
	28	2A126070	GUIDE,NETWORK BOARD	1	1	1
	29	2A126080	GUIDE,PRINTER BOARD	1	1	1
	30	2A127500	WIRE,ISU	1	1	1
	31	2A127510	LEFT WIRE	1	1	1
	32	2A127521	FRONT WIRE	1	1	1

- Parts with "•" are component parts or sub-assemblies of the assembly appearing immediately above them.
- Parts with "●" indicates the Service parts.

2A1/2A2

SP	Ref. No.	Part. No.	Description	Quantity		
				120V	230V	240V
●	33	2A193120	PARTS,PCB HIGH VOLTAGE(SP)	1	1	1
●	34	2A201010	MEMORY PCB ASS'Y (KM-1810)	1	1	1
	35	•2A226010	MOUNT,MEMORY BOARD (KM-1810)	1	1	1
	36	•2A228010	MEMORY PCB (KM-1810)	1	1	1
●	37	2A228020	IC DIMM (KM-1810)	1	1	1
	38	2A127800	WIRE,RELAY SHORT CIRCUIT	1	1	1
●	39	2A123010	FAN,COOLING	1	1	1
	40	2A102130	MOUNT,INLET	1		
	40	2A102500	MOUNT,INLET(230)		1	1
	41	2A102120	GROUND PLATE,INLET	1	1	1
	42	2A102140	WORK PLATE,SAFETY SWITCH	1	1	1
	43	2A102150	SPRING,SAFETY SWITCH	1	1	1
●	44	2A127040	SWITCH,INTERLOCK	1	1	1
	45	2A102520	RIGHT HOLDER,CASSETTE	1	1	1
	46	2A127060	INLET 3P,POWER SOURCE	1		
	47	63511220	STOP RING,4	1	1	1
●	48	2A327010	SENSOR,HUMIDITY	1	1	1

- Parts with "••" are component parts or sub-assembly with "•" appearing immediately above them.

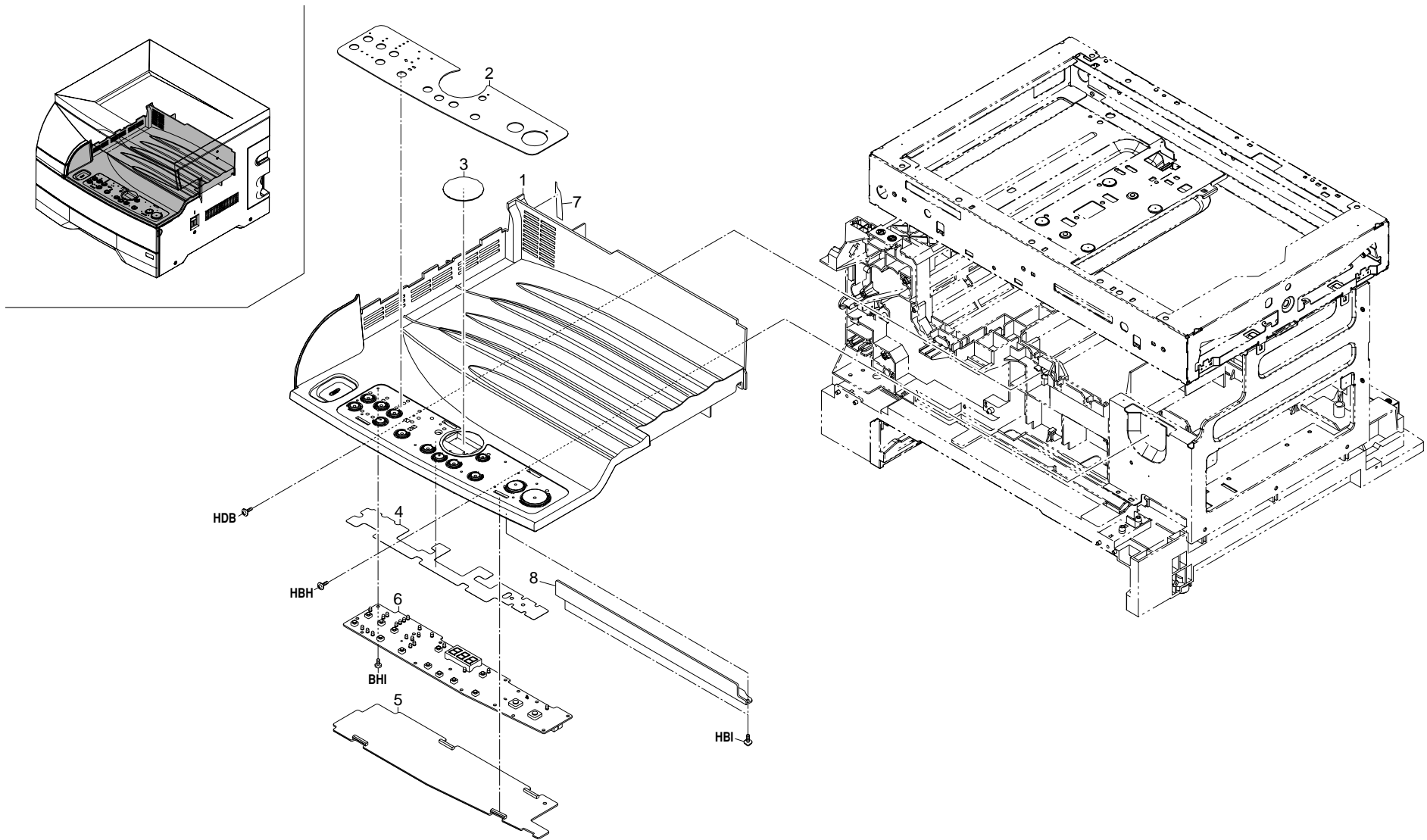


FIG. 15 OPERATION UNIT

2A1/2A2

SP	Ref. No.	Part. No.	Description	Quantity		
				120V	230V	240V
●	1	2A104063	TRAY,EJECT	1	1	1
●	2	2A125021	SHEET A,OPERATION UNIT(INCH)	1		
●	2	2A125061	SHEET A,OPERATION UNIT(METRIC)		1	
●	2	2A125071	SHEET A,OPERATION UNIT(MAP)			1
●	3	2A125030	SHEET B,OPERATION UNIT	1	1	1
●	4	2A125040	SHEET,DUST SHIELD	1	1	1
●	5	2A125050	LID,OPERATION UNIT	1	1	1
●	6	2A193130	PARTS,PCB OPERATION UNIT(SP)	1	1	1
●	7	2A104120	WIND SHIELD PLATE,EJECT TRAY	1	1	1
●	8	2A102160	AUXILIARY PLATE,EJECT TRAY	1	1	1

- Parts with "•" are component parts or sub-assemblies of the assembly appearing immediately above them.
- Parts with "●" indicates the Service parts.

- Parts with "••" are component parts or sub-assembly with "•" appearing immediately above them.

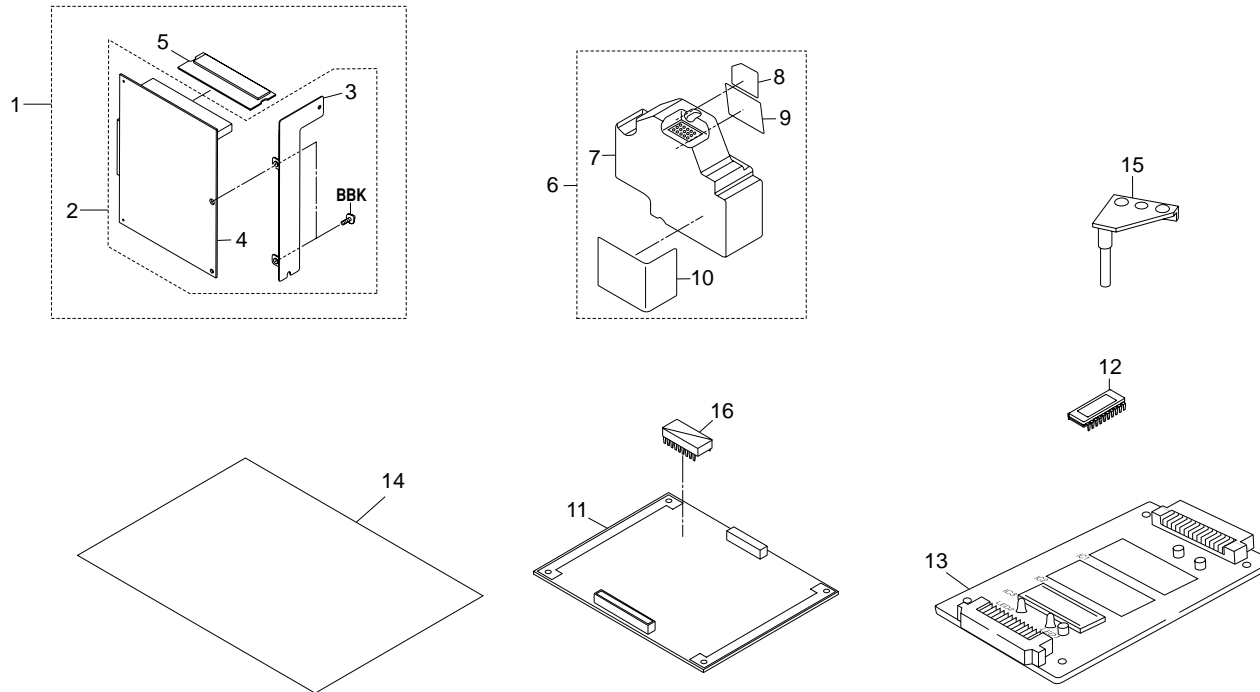


FIG. 16 ACCESSORIES & OPTION

2A1/2A2

SP	Ref. No.	Part. No.	Description	Quantity		
				120V	230V	240V
●	1	2A160010	MEMORY PCB ASS'Y OP (KM-1510)	1	1	1
	2	•2A201010	MEMORY PCB ASS'Y (KM-1510)	1	1	1
●	3	••2A226010	MOUNT, MEMORY BOARD (KM-1510)	1	1	1
	4	••2A228010	MEMORY PCB (KM-1510)	1	1	1
●	5	•2A228020	IC DIMM (KM-1510)	1	1	1
	6	2A173800	TONER DISPOSAL TANK ASS'Y	1	1	1
●	7	•2A173810	TANK, TONER DISPOSAL	1	1	1
	8	•2A173820	SHIELD, TONER DISPOSAL TANK	1	1	1
●	9	•2A173830	TAPE, TONER DISPOSAL TANK	1	1	1
	10	•36505111	LABEL, TONER DISPOSAL TANK	1	1	1
●	11	2AV68030	SPECIAL TOOL MEMORY PCB	1	1	1
●	12	2A168050	IC, ROM MAIN PCB	1	1	1
●	13	35968010	FLASH JIG PCB	1	1	1
●	14	2A168070	SHEET, SCANNER ADJUSTMENT	1	1	1
●	15	2A168080	SPECIAL TOOL, FRAME RETAINING	1	1	1
●	16	NAS09010	BACKUP RAM M48Z35Y-70PC	1	1	1

- Parts with "•" are component parts or sub-assemblies of the assembly appearing immediately above them.
- Parts with "●" indicates the Service parts.

- Parts with "••" are component parts or sub-assembly with "•" appearing immediately above them.

INDEX

2A1/2A2

SP	Part. No.	Description	Quantity			Fig. No.
			120V	230V	240V	
	18512340	GUIDE,SCANNER WIRE	2	2	2	8
	19507011	CASSETTE,PAPER FEED	1	1	1	3
	19507040	BASE,CASSETTE	1	1	1	3
	19507050	LEVER,CASSETTE BASE RELEASE	1	1	1	3
	19507080	REAR STOPPER,PAPER(METRIC)		2	2	3
	19512210	RETAINING PIN,MIRROR FRAME	1	1	1	1
	2AC12440	GROUND PLATE,INVERTER	1	1	1	8
	2AL27090	POWER CORD(USA)	1			14
	2AN27360	POWER CORD(230)		1	1	14
●	2AR14160	SPACER,TONER SENSOR	1	1	1	10
●	2AR14300	LOWER FILM,DEVELOPING	2	2	2	10
	2AR17080	COLLAR,TRANSFER ROLLER	2	2	2	4
	2AR22160	SPRING,FIXING TENSION	1	1	1	8
●	2AV12450	SLIDER,SCANNER	8	8	8	8
●	2AV12500	SPRING,SCANNER TENSION	2	2	2	8
	2AV26220	LOWER LID,SHIELD	1	1	1	14
●	2AV27330	CLUTCH,PAPER FEED	1	1	1	13
●	2AV27340	CLUTCH,BYPASS	1	1	1	2
●	2AV68030	SPECIAL TOOL MEMORY PCB	1	1	1	16
	2A005060	LABEL,HIGH VOLTAGE CAUTION(EUR)	1	1	1	1
	2A100010	SCANNER FRAME ASS'Y	1	1	1	8
●	2A101022	MAIN PCB ASS'Y		1	1	14
	2A101050	NOISE FILTER ASS'Y(230)		1	1	14
●	2A101060	MAIN PCB ASS'Y(F C C)	1			14
	2A102010	BASE	1	1	1	2
	2A102021	FRAME IMAGE FORMATION	1	1	1	2
	2A102030	RIGHT FRAME	1	1	1	2
	2A102090	LEFT RAIL,CASSETTE	1	1	1	2
●	2A102100	HANDLE,JAM RELEASE	1	1	1	4
	2A102110	FULCRUM PIN,CONVEYING	1	1	1	4
	2A102120	GROUND PLATE,INLET	1	1	1	14
	2A102130	MOUNT,INLET	1			14
	2A102140	WORK PLATE,SAFETY SWITCH	1	1	1	14
	2A102150	SPRING,SAFETY SWITCH	1	1	1	14
	2A102160	AUXILIARY PLATE,EJECT TRAY	1	1	1	15
	2A102500	MOUNT,INLET(230)		1	1	14
	2A102510	LEFT HPLDER,CASSETTE	1	1	1	13
	2A102520	RIGHT HOLDER,CASSETTE	1	1	1	14
●	2A104012	FRONT COVER	1	1	1	1
●	2A104021	UPPER FRONT COVER	1	1	1	1

SP	Part. No.	Description	Quantity			Fig. No.
			120V	230V	240V	
●	2A104032	RIGHT COVER	1	1	1	1
●	2A104041	LEFT COVER	1	1	1	1
●	2A104052	COVER,CONVEYING	1	1	1	4
●	2A104063	TRAY,EJECT	1	1	1	15
●	2A104071	REAR COVER	1	1	1	1
●	2A104080	COVER,DISPOSAL TANK	1	1	1	1
●	2A104090	COVER,PRINTER BOARD	1	1	1	1
●	2A104100	RIGHT FULCRUM PLATE,FRONT COVER	1	1	1	1
●	2A104110	LEFT FULCRUM PLATE,FRONT COVER	1	1	1	1
●	2A104120	WIND SHIELD PLATE,EJECT TRAY	1	1	1	15
●	2A105080	LABEL,HIGH TEMPERATURE CAUTION	1	1	1	4
●	2A105091	LABEL,CONVEYING JAM	1	1	1	1
●	2A105131	LABEL,LASER UNIT	1	1	1	9
●	2A105140	LABEL,CARTRIDGE OPERATION	1	1	1	1
●	2A105160	LABEL,DF CAUTION	1	1	1	1
	2A105180	LABEL,CAUTION CONTACT GLASS	1	1	1	8
●	2A106010	PULLEY,PAPER FEED	2	2	2	2
●	2A106020	LEFT ROLLER,REGISTRATION	1	1	1	4
●	2A106031	RIGHT ROLLER,REGISTRATION	1	1	1	2
	2A106040	SHAFT,PAPER FEED	1	1	1	2
	2A106060	SPRING,REGISTRATION PRESSING	1	1	1	4
●	2A106071	ACTUATOR,REGISTRATION	1	1	1	2
●	2A106081	SPRING,REGISTRATION ACTUATOR	1	1	1	2
●	2A106090	GEAR 32,REGISTRATION CLUTCH	1	1	1	13
	2A106100	GROUND PLATE,REGISTRATION ROLLER	1	1	1	13
	2A106120	FRONT SPRING,REGISTRATION PRESSING	1	1	1	4
●	2A106150	LEFT GEAR 14,REGISTRATION	1	1	1	4
●	2A106160	RIGHT GEAR 15,REGISTRATION	1	1	1	2
●	2A106170	PULLEY B,PAPER FEED	2	2	2	2
	2A106180	SHAFT,PAPER FEED CL	1	1	1	2
	2A106191	SUPPORT PLATE,GUIDE PULLEY	2	2	2	2
●	2A106200	RIGHT GUIDE FILM,REGISTRATION ADMISSION	2	2	2	2
●	2A106210	LEFT GUIDE FILM,REGISTRATION ADMISSION	2	2	2	4
●	2A106220	GUIDE FILM,PAPER FEED CONFLUENCE	1	1	1	2
●	2A106230	GUIDE FILM,PRIMARY PAPER FEED	1	1	1	2
●	2A106240	FRONT SHEET,REGISTRATION	1	1	1	2
●	2A106510	PULLEY,BYPASS	1	1	1	2
●	2A106530	UPPER GUIDE,BYPASS	1	1	1	2
	2A106540	GUIDE,BYPASS LIFT	1	1	1	2
●	2A106550	HOLDER,BYPASS PAD	1	1	1	2

• Parts with "●" indicates the Service parts.

2A1/2A2

SP	Part. No.	Description	Quantity			Fig. No.
			120V	230V	240V	
●	2A106560	CAM,BYPASS LIFT	1	1	1	2
●	2A106570	STOPPER,BYPASS LIFT	1	1	1	2
●	2A106581	SPRING,BYPASS LIFT	1	1	1	2
●	2A106590	SPRING,BYPASS PAD	1	1	1	2
●	2A106680	PAD,BYPASS	1	1	1	2
	2A106690	SHAFT,BYPASS	1	1	1	2
	2A106700	GROUND PLATE,BYPASS LIFT	1	1	1	2
●	2A106721	GUIDE,BYPASS PAD	1	1	1	2
●	2A106730	FRONT BUSHING,BYPASS	1	1	1	2
	2A106740	VIBRATION INSULATOR,PAD HOLDER	1	1	1	2
●	2A106760	FRICTION PLATE C,BYPASS LIFT	1	1	1	2
	2A106770	SHEET,PAD HOLDER	1	1	1	2
●	2A106810	TABLE,BYPASS	1	1	1	4
●	2A106820	COVER,BYPASS TABLE	1	1	1	4
	2A106831	FRONT CURSOR,BYPASS	1	1	1	4
	2A106841	REAR CURSOR,BYPASS	1	1	1	4
●	2A107011	COVER,CASSETTE	1	1	1	3
	2A107020	GROUND PLATE,CASSETTE	1	1	1	3
	2A107030	SPRING,CASSETTE	2	2	2	3
●	2A107040	SLIDER,CASSETTE	2	2	2	2
●	2A107050	FRONT CLAW CASSETTE	1	1	1	3
●	2A107060	FRICTION PLATE,CASSETTE	2	2	2	3
	2A108021	SHAFT,DRUM	1	1	1	11
	2A108030	GROUND PLATE,DRUM	1	1	1	11
	2A109010	FRONT FRAME,IMAGE FORMATION	1	1	1	10
	2A109020	REAR FRAME,IMAGE FORMATION	1	1	1	10
	2A109030	FRONT BUSHING,IMAGE FORMATION	1	1	1	10
	2A109040	REAR BUSHING,IMAGE FORMATION	1	1	1	10
	2A110150	LIGHT SHIELD,CLEANING LAMP	1	1	1	2
●	2A112080	FRONT WIRE,SCANNER	1	1	1	8
●	2A112090	REAR WIRE,SCANNER	1	1	1	8
●	2A112111	MIRROR A	1	1	1	8
●	2A112120	MIRROR B	2	2	2	8
●	2A112130	CONTACT GLASS,DF	1	1	1	8
●	2A112160	CONTACT GLASS	1	1	1	8
●	2A112170	RETAINER,WIRE	2	2	2	8
	2A112180	MIRROR FRAME A	1	1	1	8
	2A112190	MIRROR FRAME B	1	1	1	8
	2A112200	ADJUSTING PLATE B,MIRROR FRAME	1	1	1	8
	2A112210	LEFT MOUNT,DF HINGE	1	1	1	8

SP	Part. No.	Description	Quantity			Fig. No.
			120V	230V	240V	
	2A112220	RIGHT MOUNT,DF HINGE	1	1	1	8
	2A112230	COVER,INVERTER	1	1	1	8
	2A112240	REFLECTOR,SCANNER	1	1	1	8
	2A112250	SHAFT,SCANNER DRIVE	1	1	1	8
●	2A112260	GEAR Z30	1	1	1	8
●	2A112270	GEAR Z23	1	1	1	8
	2A112280	HOLDER,FFC	1	1	1	8
	2A112290	GUIDE FFC2	1	1	1	8
	2A112300	HOLDER,ISU WIRE	1	1	1	8
	2A112310	MOUNT,SCANNER PI	1	1	1	8
	2A112320	MOUNT,SCANNER MOTOR	1	1	1	8
●	2A112330	GEAR 27/13,SCANNER DRIVE	1	1	1	8
●	2A112340	BELT S2M60,SCANNER	1	1	1	8
	2A112350	STANDARD PLATE,SHADING	1	1	1	8
●	2A112360	SPONGE,ORIGINAL SIZE INDICATOR	1	1	1	8
	2A112370	MOUNT,DRIVE SHIFT	1	1	1	8
●	2A112380	GEAR 13,DRIVE SHIFT	1	1	1	8
●	2A112390	GEAR 25,DRIVE SHIFT	1	1	1	8
	2A112400	LEVER,DRIVE SHIFT	1	1	1	8
●	2A112410	FRICTION PLATE,DRIVE SHIFT	1	1	1	8
	2A112420	COLLAR,JOINT	1	1	1	8
	2A112430	SPRING,FRICTION PLATE	1	1	1	8
●	2A112441	LEFT ORIGINAL SIZE INDICATOR,ORIGINAL	1	1	1	8
●	2A112451	REAR ORIGINAL SIZE INDICATOR,ORIGINAL	1	1	1	8
	2A112470	GROUND PLATE,SCANNER MOTOR	1	1	1	8
	2A112490	PULLEY B,MIRROR FRAME	2	2	2	8
	2A112520	COVER,ISU	1	1	1	8
	2A112530	WORK PLATE,SCANNER DRIVE	1	1	1	8
	2A112620	LEFT GROUND PLATE,ISU MOUNT	2	2	2	8
	2A112630	RIGHT GROUND PLATE,ISU MOUNT	1	1	1	8
	2A112640	SPRING,JOINT DRIVE	1	1	1	8
●	2A112650	FRONT SEAL,SCANNER BASE	1	1	1	8
●	2A112660	REAR SEAL,SCANNER BASE	1	1	1	8
	2A112670	SPONGE,SCANNER BASE	1	1	1	8
	2A112680	FRONT SEAL,SCANNER	1	1	1	8
	2A112700	RETAINING PIN A,MIRROR FRAME	1	1	1	1
	2A113010	UNIT,LSU	1	1	1	9
●	2A113020	SPONGE 1,LSU	1	1	1	9
●	2A113030	SPONGE 2,LSU	1	1	1	9
●	2A113040	SPONGE 3,LSU	1	1	1	9

• Parts with "●" indicates the Service parts.

SP	Part. No.	Description	Quantity			Fig. No.
			120V	230V	240V	
●	2A113050	SPONGE 4,LSU	1	1	1	9
	2A114010	MAGNET,DEVELOPING	1	1	1	10
	2A114021	HOUSING,DEVELOPING	1	1	1	10
	2A114030	PADDLE,DEVELOPING	1	1	1	10
	2A114040	LEFT SPIRAL,DEVELOPING	1	1	1	10
	2A114050	RIGHT SPIRAL,DEVELOPING	1	1	1	10
	2A114060	MOUNT,DOCTOR BLADE	1	1	1	10
	2A114070	DOCTOR BLADE,DEVELOPING	1	1	1	10
●	2A114080	UPPER SEAL,DEVELOPING	1	1	1	10
	2A114090	FRONT BUSHING,MAGNET ROLLER	1	1	1	10
	2A114100	RETAINER,MAGNET ROLLER	1	1	1	10
●	2A114110	GEAR 16,MAGNET ROLLER	1	1	1	10
●	2A114120	GEAR 17,IDLE	1	1	1	10
●	2A114130	RIGHT GEAR 26,SPIRAL	1	1	1	10
●	2A114161	REAR SPONGE,DEVELOPING	1	1	1	10
●	2A114170	UPPER SPONGE,DEVELOPING SEAL	1	1	1	10
●	2A114181	FRONT SPONGE,DEVELOPING	1	1	1	10
●	2A114190	SEAL,DEVELOPING	2	2	2	10
	2A114200	UPPER TERMINAL,DEVELOPING SEAL	1	1	1	10
	2A114260	FRONT SEAL,MAGNET ROLLER	1	1	1	10
	2A114270	REAR SEAL,MAGNET ROLLER	1	1	1	10
●	2A114280	GEAR 22,PADDLE	1	1	1	10
●	2A114290	SPONGE,DEVELOPING	2	2	2	10
●	2A114300	BUSHING 6-16,DEVELOPING	3	3	3	10
●	2A114311	BUSHING 6-21,DEVELOPING	2	2	2	10
●	2A114320	GEAR 24,DEVELOPING	1	1	1	10
●	2A114330	INNER SPONGE,DEVELOPING	2	2	2	10
	2A114340	HOLDER,DEVELOPING	1	1	1	2
	2A114360	SPACER,DEVELOPING	2	2	2	10
	2A115010	HOUSING,CARTRIDGE DRIVE	1	1	1	13
	2A115020	MOUNT,CARTRIDGE DRIVE	1	1	1	13
	2A115030	GEAR 24A,CARTRIDGE DRIVE	1			13
	2A115040	GEAR 18A,CARTRIDGE DRIVE	1			13
	2A115050	GEAR 24B,CARTRIDGE DRIVE		1	1	13
	2A115060	GEAR 18B,CARTRIDGE DRIVE		1	1	13
●	2A115070	GEAR,TONER MOTOR	1	1	1	13
●	2A116010	ROLLER,TRANSFER	1			4
	2A116020	FRONT GUIDE,TRANSFER	1	1	1	4
●	2A116040	PULLEY,TRANSFER	2	2	2	4
	2A116050	REAR GUIDE TRANSFER	1	1	1	4

SP	Part. No.	Description	Quantity			Fig. No.
			120V	230V	240V	
	2A116060	HOUSING,CONVEYING	1	1	1	4
	2A116070	SPRING,CONVEYING PRESSURE	2	2	2	4
	2A116080	FRONT SPRING,TRANSFER ROLLER	1	1	1	4
	2A116090	REAR SPRING,TRANSFER ROLLER	1	1	1	4
	2A116100	SHAFT,HOOK	1	1	1	4
●	2A116111	FRONT BUSHING,TRANSFER PRESSURE	2	2	2	4
●	2A116121	REAR BUSHING,TRANSFER PRESSURE	2	2	2	4
	2A116130	HOLDER,PRESSURE SPRING	3	3	3	4
	2A116140	TERMINAL,TRANSFER GUIDE	1	1	1	4
	2A116150	HOLDER,TRANSFER PRESSURE SPRING	1	1	1	4
	2A116160	SPRING,CONVEYING RELEASE	1	1	1	4
●	2A116171	STATIC ELIMINATOR,TRANSFER	1	1	1	4
●	2A116180	BUSHING,TRANSFER	2	2	2	4
●	2A116190	GEAR,TRANSFER	1	1	1	4
●	2A116200	ROLLER,TRANSFER,METRIC		1	1	4
●	2A116210	FRONT SHEET,TRANSFER GUIDE	1	1	1	4
●	2A116220	CLEANER,TRANSFER	1	1	1	4
●	2A116240	SEAL B,TRANSFER ROLLER	2	2	2	4
	2A118014	HOUSING,CLEANING	1	1	1	11
	2A118020	SPIRAL,CLEANING	1	1	1	11
	2A118050	MOUNT,BLADE	1	1	1	11
	2A118070	SHUTTER,DISPOSAL	1	1	1	11
	2A118080	SPRING,SHUTTER	1	1	1	11
●	2A118101	FRONT SPONGE,CLEANING	1	1	1	11
●	2A118111	REAR SPONGE,CLEANING	1	1	1	11
	2A118140	SPRING,THRUST	1	1	1	11
●	2A118150	GEAR 25,THRUST	1	1	1	11
	2A118160	SPRING,BLADE	1	1	1	11
●	2A118190	INNER SPONGE,CLEANING	1	1	1	11
	2A118200	INNER FILM,CLEANING	1	1	1	11
	2A118240	DETECTION PLATE,DISPOSAL TANK	1	1	1	1
	2A118250	SPRING,TANK DETECTION	1	1	1	1
●	2A118261	UPPER SPONGE,CLEANING	2	2	2	11
	2A118280	PIPE,SPIRAL	1	1	1	11
●	2A118300	CLAW,DRUM SEPARATION	3	3	3	11
●	2A118312	FRONT SPONGE,BLADE	1	1	1	11
●	2A118323	REAR SPONGE,BLADE	1	1	1	11
●	2A118350	BUSHING,BLADE MOUNT	2	2	2	11
●	2A118370	PULLEY,DRUM SEPARATION	3	3	3	11
●	2A118380	FRONT SEAL K,CLEANING	1	1	1	11

• Parts with "●" indicates the Service parts.

2A1/2A2

SP	Part. No.	Description	Quantity			Fig. No.
			120V	230V	240V	
●	2A118390	REAR SEAL K,CLEANING	1	1	1	11
●	2A120050	GEAR,HEAT ROLLER	1	1	1	12
●	2A120060	BUSHING,HEAT ROLLER	2	2	2	12
●	2A120071	SEPARATION CLAW,HEAT ROLLER	4	4	4	12
●	2A120080	THERMISTOR,FIXING	1	1	1	12
	2A120090	RIGHT HOUSING,FIXING	1	1	1	12
	2A120100	LEFT HOUSING,FIXING	1	1	1	12
	2A120110	UPPER GUIDE,FIXING	1	1	1	12
	2A120120	LOWER GUIDE,FIXING	1	1	1	12
●	2A120130	FRONT LEVER,FIXING PRESSURE RELEASE	1	1	1	12
●	2A120140	REAR LEVER,FIXING PRESSURE RELEASE	1	1	1	12
	2A120150	FRONT SUPPORT PLATE,FIXING HEATER	1	1	1	12
	2A120160	REAR SUPPORT PLATE,FIXING HEATER	1	1	1	12
	2A120170	HOLDER,HEAT ROLLER	2	2	2	12
●	2A120240	GEAR 44,FIXING IDLE	1	1	1	12
●	2A120250	FRONT COVER,FIXING	1	1	1	12
●	2A120260	SPRING,PRESS ROLLER	2	2	2	12
●	2A121010	ROLLER,EJECT	1	1	1	12
	2A121020	PLATE SPRING,EJECT	2	2	2	2
●	2A121030	ACTUATOR,EJECT SWITCH	1	1	1	12
●	2A121040	SPRING,EJECT SWITCH	1	1	1	12
●	2A121050	STATIC ELIMINATOR,EJECT	1	1	1	2
	2A121060	GROUND PLATE,EJECT	1	1	1	2
●	2A122020	GEAR 53,DRUM DRIVE	1	1	1	13
●	2A122030	GEAR 28/20,COUPLER	1	1	1	13
●	2A122040	GEAR 97/25	1	1	1	13
●	2A122050	GEAR 67/30	1	1	1	13
	2A122060	GEAR 45/40	1	1	1	13
	2A122080	GEAR 26/20	1	1	1	13
●	2A122100	COUPLING,DEVELOPING DRIVE	1	1	1	13
	2A122110	MOUNT,MACHINE DRIVE	1	1	1	13
	2A122120	MOUNT,PAPER FEED DRIVE	1	1	1	13
	2A122150	GEAR 23/16	1	1	1	13
	2A122160	GEAR 37/21	1	1	1	13
	2A122180	GEAR 32/18	1	1	1	13
	2A122190	SPRING,DRUM COUPLING	1	1	1	13
	2A122200	SPRING,DEVELOPING COUPLING	1	1	1	13
●	2A123010	FAN,COOLING	1	1	1	14
●	2A125021	SHEET A,OPERATION UNIT(INCH)	1			15
●	2A125030	SHEET B,OPERATION UNIT	1	1	1	15

SP	Part. No.	Description	Quantity			Fig. No.
			120V	230V	240V	
●	2A125040	SHEET,DUST SHIELD	1	1	1	15
●	2A125050	LID,OPERATION UNIT	1	1	1	15
●	2A125061	SHEET A,OPERATION UNIT(METRIC)		1		15
●	2A125071	SHEET A,OPERATION UNIT(MAP)			1	15
	2A126010	MOUNT,MAIN PCB	1	1	1	14
	2A126020	SHIELD,PCB	1	1	1	14
	2A126030	SHIELD,MEMORY BOARD	1	1	1	14
	2A126060	GUIDE,MEMORY BOARD	1	1	1	14
	2A126070	GUIDE,NETWORK BOARD	1	1	1	14
	2A126080	GUIDE,PRINTER BOARD	1	1	1	14
	2A126090	GROUND PLATE,IMAGE FORMATION	1	1	1	2
	2A126130	PIN,OPTION	2	2	2	14
	2A126150	COVER PCB,SHIELD	1	1	1	14
	2A126160	MOUNT,POWER SOURCE PCB	1			14
●	2A127010	LAMP,CLEANING	1	1	1	2
●	2A127040	SWITCH,INTERLOCK	1	1	1	14
●	2A127050	SWITCH,PHOTO INTERRUPTOR	6	6	6	5,7,12,14
	2A127060	INLET 3P,POWER SOURCE	1			14
●	2A127070	SWITCH,MAIN	1			14
●	2A127080	CLUTCH,REGISTRATION	1	1	1	13
	2A127500	WIRE,ISU	1	1	1	14
	2A127510	LEFT WIRE	1	1	1	14
	2A127521	FRONT WIRE	1	1	1	14
	2A127550	JUNCTION WIRING,EJECT SWITCH	1	1	1	12
	2A127601	WIRE,INLET(230)		1	1	14
	2A127780	WIRE,ISU	1	1	1	8
	2A127791	WIRE,INLET	1			14
	2A127800	WIRE,RELAY SHORT CIRCUIT	1	1	1	14
	2A127820	WIRE,FIXING HEATER	1	1	1	14
	2A127830	JUNCTION WIRING,REGISTRATION SW	1	1	1	14
	2A127850	JUNCTION WIRING,DEVELOPING	1	1	1	10
	2A127860	WIRE,LSU	1	1	1	9
	2A127890	TERMINAL,MAIN CHARGER JUNCTION	1	1	1	2
	2A127900	TERMINAL,GRID JUNCTION	1	1	1	2
	2A127910	TERMINAL,TRANSFER JUNCTION	1	1	1	2
●	2A128020	INVERTER PCB	1	1	1	8
	2A128051	POWER SOURCE PCB 120	1			14
	2A128061	POWER SOURCE PCB 230		1	1	14
	2A160010	MEMORY PCB ASS'Y OP	1	1	1	16
●	2A168010	MAIN CHARGER ASS'Y	1	1	1	11

• Parts with "●" indicates the Service parts.

SP	Part. No.	Description	Quantity			Fig. No.
			120V	230V	240V	
●	2A168034	TRANSFER ROLLER ASS'Y	1			4
●	2A168041	LSU ASS'Y	1	1	1	9
●	2A168050	IC,ROM MAIN PCB	1	1	1	16
●	2A168064	TRANSFER ROLLER ASS'Y(METRIC)		1	1	4
●	2A168070	SHEET,SCANNER ADJUSTMENT	1	1	1	16
●	2A168080	SPECIAL TOOL,FRAME RETAINING	1	1	1	16
	2A173800	TONER DISPOSAL TANK ASS'Y	1	1	1	16
	2A173810	TANK,TONER DISPOSAL	1	1	1	16
	2A173820	SHIELD,TONER DISPOSAL TANK	1	1	1	16
	2A173830	TAPE,TONER DISPOSAL TANK	1	1	1	16
●	2A182010	SET,DRUM(NEUTRAL)	1	1	1	11
●	2A193010	PARTS,POWER SOURCE ASS'Y 120(SP)	1			14
●	2A193020	PARTS,POWER SOURCE ASS'Y 230(SP)		1	1	14
●	2A193030	PARTS,LAMP SCANNER(SP)	1	1	1	8
●	2A193040	PARTS,BLADE CLEANING LOWER(SP)	1	1	1	11
●	2A193050	PARTS,BLADE CLEANING B(SP)	1	1	1	11
●	2A193060	PARTS,ROLLER HEAT(SP)	1	1	1	12
●	2A193070	PARTS,ROLLER PRESS(SP)	1	1	1	12
●	2A193080	PARTS,HEATER FIXING 120(SP)	1			12
●	2A193090	PARTS,HEATER FIXING 240(SP)		1	1	12
●	2A193100	PARTS,MOTOR MAIN(SP)	1	1	1	13
●	2A193110	PARTS,MOTOR ISU(SP)	1	1	1	8
●	2A193120	PARTS,PCB HIGH VOLTAGE(SP)	1	1	1	14
●	2A193130	PARTS,PCB OPERATION UNIT(SP)	1	1	1	15
●	2A201010	MEMORY PCB ASS'Y	2	2	2	14,16
●	2A201020	MAIN PCB ASS'Y		1	1	14
●	2A201030	MAIN PCB ASS'Y(F C C)	1			14
●	2A204012	FRONT COVER	1	1	1	1
●	2A204021	REAR COVER	1	1	1	1
	2A226010	MOUNT,MEMORY BOARD	2	2	2	14,16
	2A228010	MEMORY PCB	2	2	2	14,16
●	2A228020	IC DIMM	2	2	2	14,16
●	2A327010	SENSOR,HUMIDITY	1	1	1	14
	2A806030	BUSH FEED	4	4	4	2,12
	2A806250	RING STOPPER	3	4	3	2,8,10,13
●	2A806720	GEAR MPF	1	1	1	4
	2A807050	GEAR CASSETTE	1	1	1	6
	28107301	PRESSING SPRING	2	2	2	7
●	28107400	BEARING,688ZZNR	2	2	2	8
●	29806560	BUSHING 6	3	3	3	6,7

SP	Part. No.	Description	Quantity			Fig. No.
			120V	230V	240V	
	29806710	PULLEY,RELEASE LEVER	2	2	2	6
●	29806810	BUSHING,6 REGISTRATION	3	3	3	6,7
●	29812291	CUSHION,CONTACT GLASS	9	9	9	8
	29822230	GEAR 16T,PF IDLE	1	1	1	13
	29822280	SPRING,PF COUPLER	1	1	1	6
●	3AL05120	LABEL,DF ORIGINAL CAUTION	1	1	1	6
	3AL06090	CUSHION,ORIGINAL GUIDE	2	2	2	6
●	3AL07250	REAR STATIC ELIMINATOR,PAPER FEED	1	1	1	7
	3AL08170	PULLEY,EJECT	2	2	2	6
	3A707020	PULLEY,PAPER FEED	1	1	1	7
●	3A707030	PULLEY,LEADING FEED	1	1	1	6
	3A707060	SHAFT,LEADING FEED	1	1	1	6
	3A707070	SHAFT,SEPARATION	1	1	1	7
	3A707090	HOLDER,SEPARATION PULLEY	2	2	2	7
	3A707110	GEAR 30,PAPER FEED	1	1	1	6
●	3A707120	PULLEY,LEADING FEED	1	1	1	6
	3A722040	PULLEY 24,CONVEYING	2	2	2	7
●	3A722090	PULLEY,DRIVE	2	2	2	5,7
●	3BC07130	ONE-WAY CLUTCH 6	1	1	1	6
	3BH26030	PIN,OPTION	2	2	2	14
●	3BP11070	COVER,ADF	1	1	1	5
●	3BP11080	HOUSING,CONVEYING	1	1	1	5
●	3BP11090	GUIDE,ORIGINAL	1	1	1	5
●	3BP11100	ROLLER,CONVEYING	1	1	1	5
●	3BP11110	ROLLER,EJECT	1	1	1	5
	3BP11120	MOUNT,DRIVE	1	1	1	5
●	3BP11130	GEAR 25/19	1	1	1	5
●	3BP11140	SPRING,CONVEYING	4	4	4	5
●	3BP11150	MAT,ORIGINAL HOLDER	2	2	2	5,6
●	3BP11160	UPPER HINGE	2	2	2	5
●	3BP11170	LOWER HINGE	2	2	2	5
●	3BP11180	ACTUATOR,ORIGINAL DETECTION	1	1	1	5
●	3BP11190	ACTUATOR,TIMING DETECTION	1	1	1	5
●	3BP11220	SPRING,ORIGINAL GUIDE	2	2	2	5
	3BP11230	WIRE,ADF	1	1	1	5
●	3BP11240	FRONT FILM,CONVEYING	1	1	1	5
●	3BP11250	REAR FILM,CONVEYING	1	1	1	5
	3BP11270	SHAFT,HINGE	2	2	2	5
●	3BP11280	PULLEY 22,CONVEYING	2	2	2	5
●	3BP11290	GEAR 20,CONVEYING	1	1	1	5

• Parts with "●" indicates the Service parts.

SP	Part. No.	Description	Quantity			Fig. No.
			120V	230V	240V	
●	3BP11300	SHEET,READING	2	2	2	5,7
	3BP11310	TRAY,EJECT	1	1	1	5
●	3BP11320	MOUNT,PULLEY	1	1	1	5
	3BP11330	RETAINER,TENSION	1	1	1	5
●	3BR02010	BASE,ADF	1	1	1	6
	3BR02020	FRAME,ADF	1	1	1	6
	3BR02030	STAY,ADF	1	1	1	6
	3BR02060	LEVER,RELEASE SWITCH	1	1	1	6
	3BR02080	MOUNT,RELEASE SWITCH	1	1	1	7
	3BR03010	LEFT HINGE	1	1	1	6
	3BR03040	RIGHT HINGE	1	1	1	6
●	3BR04010	LOWER COVER,CONVEYING	1	1	1	6
●	3BR04020	HANDLE,ADF	1	1	1	6
	3BR05010	LABEL,ORIGINAL UPPER LIMIT	1	1	1	6
●	3BR06010	TABLE,ADF	1	1	1	6
●	3BR06020	FRONT CURSOR	1	1	1	6
●	3BR06030	REAR CURSOR	1	1	1	6
●	3BR06040	COVER,TABLE	1	1	1	6
●	3BR07010	COVER,PAPER FEED	1	1	1	6
●	3BR07020	UPPER ROLLER,REGISTRATION	1	1	1	7
	3BR07030	LOWER ROLLER,REGISTRATION	1	1	1	7
●	3BR07040	PULLEY,PAPER FEED	1	1	1	6
	3BR07050	GUIDE,LIFT	1	1	1	7
	3BR07060	GUIDE,PAPER FEED	1	1	1	7
●	3BR07070	SHAFT,PAPER FEED	1	1	1	6
	3BR07080	SHAFT,LIFT	1	1	1	7
●	3BR07110	ACTUATOR,ORIGINAL DETECTION	1	1	1	6
	3BR07120	LEVER,LIFT	1	1	1	7
●	3BR07130	BELT 114,PAPER FEED	1	1	1	6
	3BR07140	MOUNT,HANDLE	1	1	1	6
	3BR07150	FRONT HOOK,PAPER FEED COVER	1	1	1	6
	3BR07160	REAR HOOK,PAPER FEED COVER	1	1	1	6
●	3BR07170	HANDLE,PAPER FEED COVER	1	1	1	6
	3BR07180	SPRING,SEPARATION PULLEY	2	2	2	7
	3BR07190	MOUNT,TIMING SWITCH	1	1	1	7
●	3BR07200	ACTUATOR,TIMING SWITCH	1	1	1	7
	3BR07210	MOUNT,SEPARATION PULLEY	1	1	1	7
	3BR07220	FRONT SUPPORT PLATE,PAPER FEED COVER	1	1	1	6
	3BR07230	REAR SUPPORT PLATE,PAPER FEED COVER	1	1	1	6
	3BR07240	GROUND PLATE,SEPARATION PULLEY	1	1	1	7

• Parts with "●" indicates the Service parts.

SP	Part. No.	Description	Quantity			Fig. No.
			120V	230V	240V	
	3BR07260	UPPER FILM,CONVEYING	1	1	1	6
●	3BR07270	PAD,LIFT	1	1	1	7
	3BR07280	FILM,LIFT	1	1	1	7
	3BR07290	SHAFT,	1	1	1	6
	3BR07310	FRONT PLATE SPRING,SEPARATION	1	1	1	7
	3BR07320	FRONT PAD,SEPARATION	1	1	1	7
	3BR07330	FRONT FILM,SEPARATION	1	1	1	7
	3BR07350	FRONT FILM,PAD SEPARATION	1	1	1	7
	3BR07360	SPRING,LIFT	1	1	1	7
	3BR08010	STAY,CONVEYING	1	1	1	7
	3BR08020	GUIDE,CONVEYING	1	1	1	7
	3BR08030	GUIDE,READING	1	1	1	7
	3BR08040	SPRING,READING	2	2	2	7
	3BR08050	FILM A,CONVEYING	3	3	3	7
	3BR08060	FILM B,CONVEYING	2	2	2	7
●	3BR10010	UPPER ROLLER,EJECT	1	1	1	7
	3BR10030	UPPER GUIDE,EJECT	1	1	1	7
	3BR10040	LOWER GUIDE,EJECT	1	1	1	7
	3BR10050	FILM,EJECT	1	1	1	7
	3BR10060	PULLEY,FEED	2	2	2	7
	3BR10070	PLATE SPRING,EJECT PULLEY	1	1	1	7
	3BR10080	SHAFT,EJECT PULLEY	1	1	1	7
	3BR22010	MOUNT,ADF MOTOR	1	1	1	7
	3BR22020	GEAR 42/20,PAPER FEED	1	1	1	7
	3BR22030	CAM,LIFT	1	1	1	7
●	3BR22040	BELT 192,CONVEYING	2	2	2	5,7
	3BR22060	GEAR 38,LIFT	1	1	1	7
	3BR22070	GEAR,DRIVE ADF	1	1	1	7
●	3BR22080	SQUARE SPRING,CAM	1	1	1	7
	3BR22090	TENSION PLATE B,DRIVE	1	1	1	7
	3BR27010	WIRE,ADF	1	1	1	7
●	3BR27020	MOTOR,ADF	1	1	1	7
●	33906070	TORQUE LIMITER,PAPER FEED	1	1	1	7
	33912150	PULLEY,WIRE	2	2	2	8
●	33914190	TONER SENSOR	1	1	1	10
●	33915190	TONER MOTOR	1	1	1	13
	33927580	CORE 9-20X32	1	1	1	9
	34806140	STOPPER 4	1	1	1	5
	34806150	STOPPER 5	27	34	27	2,6,7,8, 10,13

SP	Part. No.	Description	Quantity			Fig. No.
			120V	230V	240V	
	34806480	STOPPER 6	4	4	4	2
●	34906150	INNER BUSHING,PAPER FEED	1	1	1	2
●	34906160	OUTER BUSHING,PAPER FEED	1	1	1	2
●	34907021	FRONT CURSOR,CASSETTE	1	1	1	3
●	34907031	REAR CURSOR,CASSETTE	1	1	1	3
●	34907050	REAR CLAW,CASSETTE	1	1	1	3
	34907060	LEVER,CURSOR RETAINING	1	1	1	3
	34907070	PIN,CLAW CASSETTE	4	4	4	3,6
●	34907131	REAR STOPPER,PAPER	1	1	1	3
	34907141	GEAR 18,CASSETTE	1	1	1	3
	34907290	PULLEY,GUIDE	2	2	2	2
	34907330	LABEL,PAPER UPPER LIMIT	1	1	1	3
●	34917170	PULLEY,TRANSFER HOLDER	4	4	4	5
●	34918090	GEAR 19,DISPOSAL	1	1	1	11
	34922570	GEAR 23,DEVELOPING	1	1	1	13
	35320300	SPRING,EJECT ACTUATOR	1	1	1	7
	35322020	GEAR 20,PAPER FEED DRIVE	2	2	2	7
●	35322190	GEAR 28,FIXING COUPLER	1	1	1	13
	35322200	COUPLER,FIXING DRIVE	1	1	1	13
	35322210	SPRING,FIXING COUPLER	1	1	1	13
●	35327400	SWITCH,FEED	2	2	2	8
●	35411070	GEAR 21,IDLE	2	2	2	8
	35904270	HOOK,CONVEYING HANDLE	2	2	2	4
●	35911790	GEAR 20,PAPER FEED PULLEY	1	1	1	7
	35912060	PULLEY,SCANNER DRUM	2	2	2	8
	35912210	SPRING,MIRROR HOLDER	6	6	6	8
●	35927420	SWITCH,SIZE	1	1	1	14
●	35968010	FLASH JIG PCB	1	1	1	16
	36211500	GEAR,LEADING FEED JOINT	1	1	1	6
●	36220210	LEFT THERMOSTAT,FIXING	1	1	1	12
	36505111	LABEL,TONER DISPOSAL TANK	1	1	1	16
●	45592554	BEARING 688ADD	1	1	1	10
	48128609	PIN,UPPER FRONT COVER	1	1	1	6
	48129208	PIN,TENSION	1	1	1	5
●	49028113	BUSHING 6-19,DEV.UNIT	1	1	1	10
	49628105	RECEIVER,MAGNET	2	2	2	1
●	62227070	SOLENOID B,FEED SHIFT	1	1	1	8
	63127120	NOISE FILTER,10A		1	1	14
	63511220	STOP RING,4	1	1	1	14
●	63527020	SAFETY,SWITCH	1	1	1	7

SP	Part. No.	Description	Quantity			Fig. No.
			120V	230V	240V	
●	63820190	BEARING, FIXING UNIT	2	2	2	12
	63822220	GEAR,41	1	1	1	13
	65011310	GEAR 20,IDLE	1	1	1	7
	65014160	RIGHT GEAR 25,TONER SUPPLY	1	1	1	12
	65016080	STOP RING E3	9	9	9	5,6,12
	65027470	CORE,7-15X18	2	2	2	8,14
	65902670	CUSHION RUBBER	4	4	4	2
●	66006840	BUSHING 4	4	4	4	5
●	67322230	BUSHING 8	2	2	2	2
●	68720160	PULLEY,FEED SHIFT	2	2	2	2
	68721640	PULLEY 20,DUPLIX CONVEYING	1	1	1	6
	68802070	SPRING A,LIFT UP	1	1	1	3
	68820280	HOLDER,BEARING	2	2	2	12
	71804400	MAGNET,LOWER FRONT COVER	2	2	2	1,13
●	72107160	BUSHING 6,LOWER REGISTRATION ROLLER	2	2	2	7
	73818100	SPRING, BLADE THRUST	2	2	2	13
	74808080	BEARING,686ZZNR	2	2	2	7
●	75720240	SPRING SEPARATION CLAW	4	4	4	12
	76508130	SPRING BELT GUIDE ROLLER	1	1	1	3
	78620710	CLAW STOPPER	3	3	3	6
	B4303080	TRIPLE SCREW M3X8(BLACK)	1	1	1	8
	C2804100	POLYESTER SLIDER WASHER 4.1X10X0.5T	5	5	5	6
	J7330120	PLUG,9715B-12A(IRS)	1	1	1	2
	L0223130	ROUND TYPE TERMINAL,M4,LRT-51T-4FE		1	1	14
	M1203200	OPEN BUSHING,OCB-375	1	1	1	7
●	M1651000	FUSE,250V 1,25A MINI 239	1	1	1	8
●	M1655030	FUSE,237005(LITTEL)	1			14
●	M1661000	FUSE 15A,314015	1			14
●	M1753010	FUSE,S506-3,15A(BUSSMANN)		1	1	14
●	M1756010	FUSE,S506-6,3A(BUSSMANN)		1	1	14
	M2105010	NYLON CLAMP 3N,NK-3N	1	1	1	6
	M2105020	NYLON CLAMP 4N,NK-4N	2	2	2	5,8
	M2105720	MINIATURE CLAMP,UAMS-05-2	1	1	1	7
	M2107120	BINDING BAND SG-130	1	1	1	7
	M2607010	BINDING BAND,PLT1M	1	1	1	14
●	NAS09010	BACKUP RAM M48Z35Y-70PC	1	1	1	16

• Parts with "●" indicates the Service parts.

CLASSIFICATION OF THE SCREWS IN ILLUSTRATION

<u>REF.</u>	<u>ITEM #</u>	<u>DESCRIPTION</u>	<u>REF.</u>	<u>ITEM #</u>	<u>DESCRIPTION</u>
BBB	B1303050	BINDING SCREW BVM3X5 (BLACK)	HAT	B4144080	+TP TAP-TITE P SCREW(CHROMIUM)
BBK	B1303060	BINDING SCREW BVM3X6 (BLACK)	HAU	B4043080	TRIPLE TAP-TITE P SCREW M3X08
BEA	B1603050	BINDING SCREW M3X5 (BRASS,NI)	HBH	B4303060	TRIPLE SCREW M3X6 (BLACK)
BHI	B3313080	BINDING TAP-TITE SCREW M3X08	HBI	B4303080	TRIPLE SCREW M3X8(BLACK)
BIA	B8024350	BINDING TAP-TIGHT B SCREW M4X35	HCB	B4103050	TRIPLE SCREW M3X05(CHROMIUM)
BIB	B3310100	+BINDING TAP-TIGHT P BRONZE SCREW M2.3X10	HCJ	B4104100	TRIPLE SCREW M4X10(CHROMIUM)
BMF	B1003140	BINDING SCREW CVM3X14	HCL	B4103060	TRIPLE SCREW M3X06(CHROMIUM)
BVV	B1324080	BINDING SCREW WITH SW (BLACK) M4X8	HDB	B4343080	TRIPLE TAP-TITE P SCREW M3X08(BLACK)
CIB	B8073080	FLAT HEAD TAP-TITE P SCREW M3X08	HDC	B4344080	TRIPLE TAP-TITE P SCREW M4X08(BLACK)
DJW	B5393030	W-POINT SET SCREW M3X3	HDG	B4343100	TRIPLE TAP-TITE P SCREW M3X10(BLACK)
E03	D1000300	STOP RING (E-3)	KAK	E0020080	SPRING PIN 2X8
E05	D1000500	STOP RING (E-5)	KAL	E0020100	SPRING PIN 2X10
E07	D1000700	STOP RING (E-7)	KAM	E0020120	SPRING PIN 2X12
GEA	B9604080	GROUNDING SCREW M4X8 (BRASS,N;)	KKG	E0030160	SPRING PIN 3X16
HAD	B4003050	TRIPLE SCREW M3X05	NBA	C1303000	NUT M3 (BLACK)
HAO	B4043080	TRIPLE TAP-TITE P SCREW M3X08	WAD	C2005120	PLAIN WASHER PWM5
HAQ	B4043100	TRIPLE TAP-TITE P SCREW M3X10			

KYOCERA MITA EUROPE B.V.

Hoeksteen 40, 2132 MS Hoofddorp,
The Netherlands
Phone: (020) 6540000
Home page: <http://www.kyoceramita-europe.com>
Email: info@kyoceramita-europe.nl

KYOCERA MITA NEDERLAND B.V.

Hoeksteen 40, 2132 MS Hoofddorp,
The Netherlands
Phone: (020) 5877200

KYOCERA MITA (UK) LIMITED

8 Beacontree Plaza
Gillette Way,
Reading RG2 0BS UK
Phone: (0118) 931 1500

KYOCERA MITA ITALIA S.P.A.

Via Marconi 8, 20041 Agrate Brianza,
Milano, Italy
Phone: (039) 65641

S.A. KYOCERA MITA BELGIUM N.V.

Hermesstraat 8A 1930 Zaventem, Belgium
Phone: (02) 7209270

KYOCERA MITA FRANCE S.A.

Parc les Algorithmes
SAINT AUBIN
91194 GIF-SUR-YVETTE
France
Phone: (01) 69852600

KYOCERA MITA ESPAÑA S.A.

Edificio Mita, Avda. De Manacor Nº 2,
Urb. Parque Rozas, Apartado De Correos 76,
28230 Las Rozas, Madrid, Spain
Phone: 34-91-631-8392

KYOCERA MITA FINLAND OY

Kirvesmiehenkatu 4, 00810 Helsinki,
Finland
Phone: (09) 478 05200

KYOCERA MITA (SCHWEIZ) AG

Hölzliwisen Industriestrasse 28,
8604 Volketswil, Switzerland
Phone: (01) 9084949
KYOCERA MITA DEUTSCHLAND GMBH
Industriestrasse 17, D-61449 Steinbach/TS,
Germany
Phone: (06171) 7005-0

KYOCERA MITA GMBH AUSTRIA

Eduard Kittenberger Gasse 95
A-1230 Wien, Austria
Phone: (01) 86338 210

KYOCERA MITA SVENSKA AB

Siktgatan 2
162 26 Vällingby, Sweden
Phone: (08) 4719999

KYOCERA MITA DANMARK A/S

Industrivej 11, DK-4632 Bjæverskov,
Denmark
Phone: 56871100

KYOCERA MITA PORTUGAL LDA.

CASCAISTOCK-Armazem nº8,
Rua das Fiskas, Alcoitão,
2765 Estoril, Portugal
Phone: 1-4602221

KYOCERA MITA SOUTH AFRICA (PTY) LTD.

Unit 3, "KYALAMI CRESCENT",
KYALAMI BUSINESS PARK,
1685 Midrand, South Africa
Phone: (011) 4663290

KYOCERA MITA AMERICA, INC.

Headquarters:
225 Sand Road, P.O. Box 40008
Fairfield, New Jersey 07004-0008
U.S.A.
Phone: (973) 808-8444

KYOCERA MITA ASIA OCEANIA SALES DIVISION

2-28, 1-chome, Tamatsukuri, Chuo-ku,
Osaka 540-8585, Japan
Phone: (06) 6764-3668

KYOCERA MITA AUSTRALIA PTY.LTD.

P.O. Box 211,
Regents Park Estate Unit 2,
Block V 391 Park Road,
Regents Park N.S.W. 2143, Australia
Phone: 61-2-9645-5100

KYOCERA MITA NEW ZEALAND LTD.

5 Howe Street, Newton, Auckland 1,
P.O. Box 68343,
Auckland, New Zealand
Phone: (09) 377-2088

KYOCERA MITA (THAILAND) CORP., LTD.

9/209 Ratchada-Prachacheun Road,
Bang Sue, Bangkok 10800, Thailand
Phone: (02) 586-0333

KYOCERA MITA SINGAPORE PTE LTD.

121 Genting Lane, 3rd. Level,
Singapore 349572
Phone: 65-7418733

KYOCERA MITA HONG KONG LIMITED.

11/F., Mita Centre,
552-566 Castle Peak Road,
Tsuen Wan, New Territories,
Hong Kong
Phone: 852-2423-2163

KYOCERA MITA CORPORATION

2-28, 1-chome, Tamatsukuri, Chuo-ku,
Osaka 540-8585, Japan
Phone: (06) 6764-3555
Fax: (06) 6764-3981

© 2000 KYOCERA MITA CORPORATION

 is a trademark of Kyocera Corporation

mita is a registered trademark of KYOCERA MITA CORPORATION

Printed in Holland