



90W Single Port Power over Ethernet Midspan IEEE802.3BT Compliant Power Injector



Features

- IEEE802.3BT Compliant
- Diagnostic LEDs
- Compliant with Phihong Proprietary 12.5K Detection
- 1 Year Warranty
- SNMP Management Option
- Gigabit Compatible
- 4 Pair Powering +3,6,4,5 / - 1,2,7,8
- Full Protection OCP, OVP
- Single Source 4 Pair Power Current Sharing
- Broken Wire Detection
- Limited Power Source

Applications

- Satellite Receiver
- Wireless Network Access Points
- LCD Displays
- Security Cameras
- Kiosks
- Computer Workstations

Safety Approvals

- cUL/UL
- CE

Mechanical Characteristics (Standard Model)

- Length: 166mm (6.53in)
- Width: 80mm (3.15in)
- Height: 44mm (1.73in)
- Weight: 500g(1.1lbs)

Output Specifications

Model	DC Output Voltage	Load		Regulation ²	
		Min.	Max. ³	Line	Load
POE90U-1BT	56V	>15mA	1.6A	56VDC +1V/-2V	
POE90U-1BT-N ¹	56V	>15mA	1.6A	56VDC +1V/-2V	

Notes:

1. SNMP option
2. Voltage measured within 2" of the output RJ45 connector on data pairs 3,6(+) and 1,2(-)
3. Combined output on data pairs and spare pairs. Otherwise 800mA on data pairs 3,6(+) 1, 2(-) and spare pairs 4,5(+) 7,8(-)

Phihong is not responsible for any error, and reserves the right to make changes without notice. Please visit our website at www.phihong.com for the most up-to-date specifications and contact information.

INPUT:**AC Input Voltage Range**

90 to 264VAC

AC Input Voltage Rating

100 to 240VAC, 47-63Hz

AC Input Current

2.5A (RMS) maximum for 90VAC

1.2A (RMS) maximum for 240VAC

Leakage Current

3.5mA maximum @ 264VAC 50Hz

AC Inrush Current

50A (RMS) maximum for 115VAC

75A (RMS) maximum for 230VAC

OUTPUT:**Total Output Power**

90W

Ripple and Regulation

250mV max @25C, 100-240VAC

Efficiency

75% (typical) at maximum load, and 120VAC

60Hz

Hold-up Time

10mS min. 120VAC 60Hz max load

ENVIRONMENTAL:**Temperature**

Operation -20°C to +40°C

Non-operation -20°C to +65°C

Humidity 5 to 90%

EMC

Complies with FCC Class B

Complies with EN55032 Class B

Input Connector

IEC320 inlet 3 pin

Isolation Test

Primary to Secondary:

4242VDC for 1 minute 10mA

Primary to Field Ground:

2121VDC for 1 minute

Immunity

ESD: IEC61000-4-2 Level 3

RS: IEC61000-4-3 Level 3

EFT: IEC61000-4-4 Level 2

Surge: IEC61000-4-5 Level 3

CS: IEC61000-4-6 Level 2

Voltage Dips IEC61000-4-11

Harmonic: IEC61000-3-2 Class A

Insulation Resistance

Primary to Secondary: >10M OHM 500VDC

Primary to Field Ground: >10M OHM

500VDC

FEATURES:**Over Current Protection**

Output #1(OUT) <1000mA

Output #2(OUT) <1000mA

Output #1 and #2 combined(OUT) <2000mA

Over Voltage Protection

Meets UL requirements

Short Circuit Protection

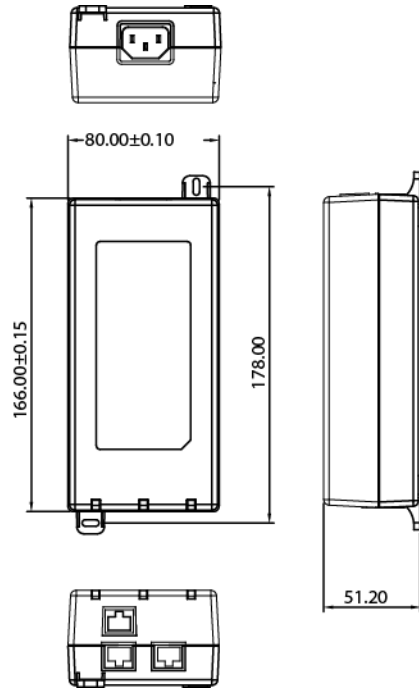
The output can be shorted permanently

without damage

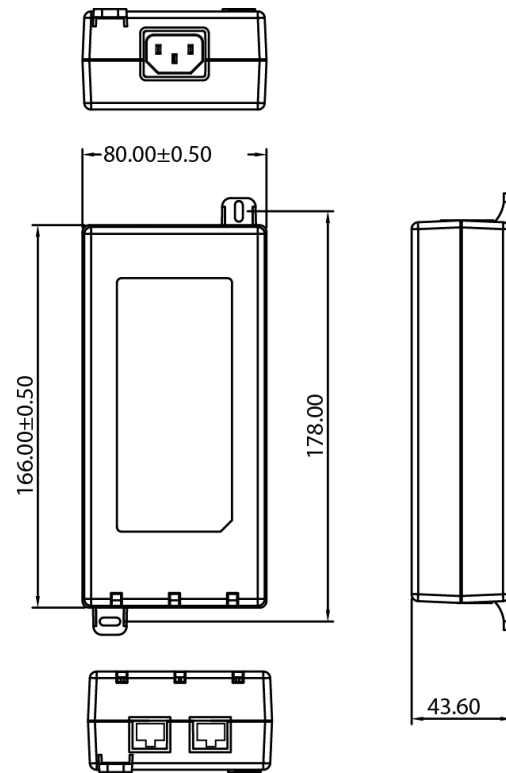
LED Indicators*No LED* - Power failure*Green LED short Blinking* - POE power ready but no connection*Green LED solid* - POE output power good*Green/Red LED alternate short blinking* - POE detection failure*Green LED short/Red long blinking* - POE output over power or short**Output Connection**

+pins 3,6,4,5 / -pins 1,2,7,8

Case as featured with the SNMP Management option



Case without the SNMP Management Option



Mouser Electronics

Authorized Distributor

Click to View Pricing, Inventory, Delivery & Lifecycle Information:

[Phihong:](#)

[POE90U-1BT](#) [POE90U-1BT-N](#)